

CURRENT TRANSFORMER

Model 10

Window Diameter 1.56"

Application:
Metering.

Frequency:
50 - 400 Hz

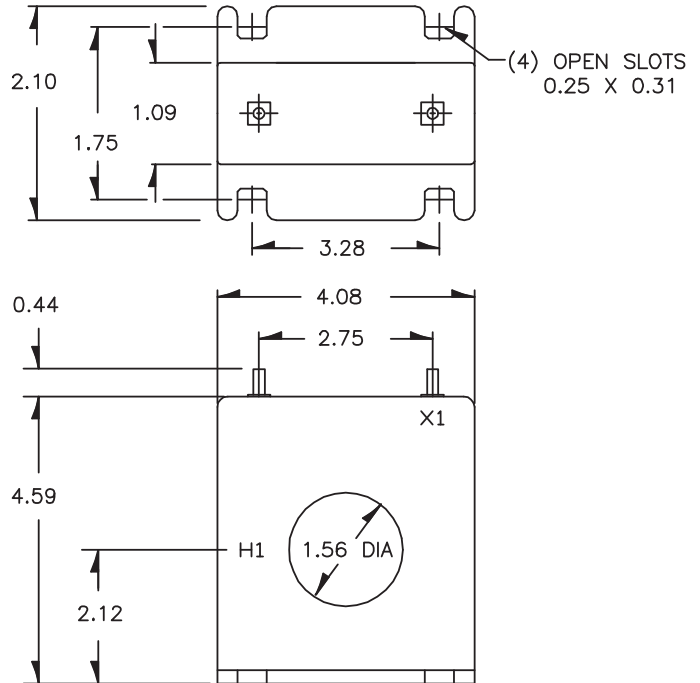
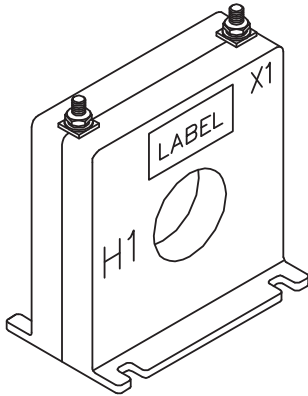
Insulation Level:
600 Volts, 10 kv BIL full wave

• Terminals are brass studs No. 8 - 32 with one flatwasher, lockwasher and regular nut.

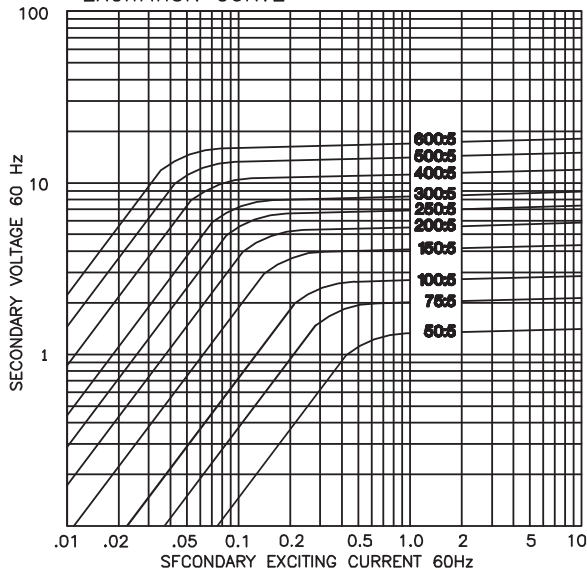
• Approximate weight: 2.5 lbs.



E228202



EXCITATION CURVE



CATALOG NUMBER	CURRENT RATIO	V.A. FOR ± 1% CLASS	ANSI METERING CLASS AT 60 Hz					SECONDARY WINDING RESISTANCE (OHMS @ 75° C)	CONTINUOUS THERMAL RATING FACTOR	
			B0.1	B0.2	B0.5	B0.9	B1.8		@30°C	@55°C
10SFT-500	50:5	2.0 ± 2%	4.8	-	-	-	-	0.007	2.0	2.0
10SFT-750	75:5	2.5	1.2	4.8	-	-	-	0.010	2.0	2.0
10SFT-101	100:5	3.0	1.2	2.4	4.8	-	-	0.018	2.0	2.0
10SFT-151	150:5	5.0	0.6	0.6	2.4	4.8	-	0.031	2.0	2.0
10SFT-201	200:5	7.5	0.3	0.6	1.2	2.4	4.8	0.043	2.0	1.5
10SFT-251	250:5	10.0	0.3	0.3	1.2	1.2	2.4	0.053	2.0	1.5
10SFT-301	300:5	15.0	0.3	0.3	0.6	1.2	2.4	0.070	2.0	1.5
10SFT-401	400:5	20.0	0.3	0.3	0.3	0.6	1.2	0.114	1.5	1.0
10SFT-501	500:5	30.0	0.3	0.3	0.3	0.6	1.2	0.128	1.33	1.0
10SFT-601	600:5	40.0	0.3	0.3	0.3	0.6	0.6	0.192	1.33	0.8