

CURRENT TRANSFORMER

Model 110

Window Diameter 4.0"

Application:
Relaying and Metering

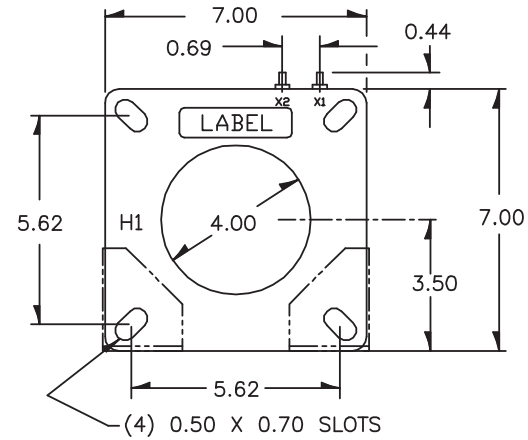
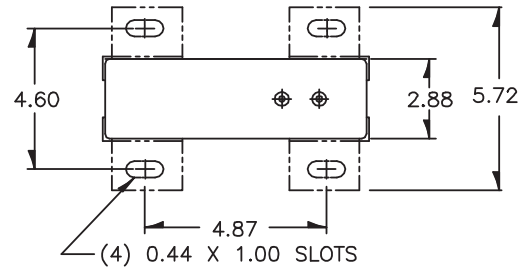
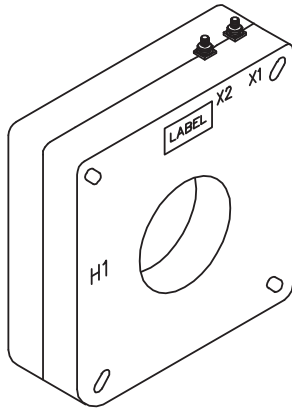
Frequency:
50 - 400 Hz

Insulation Level:
600 Volts, 10 kv BIL full wave

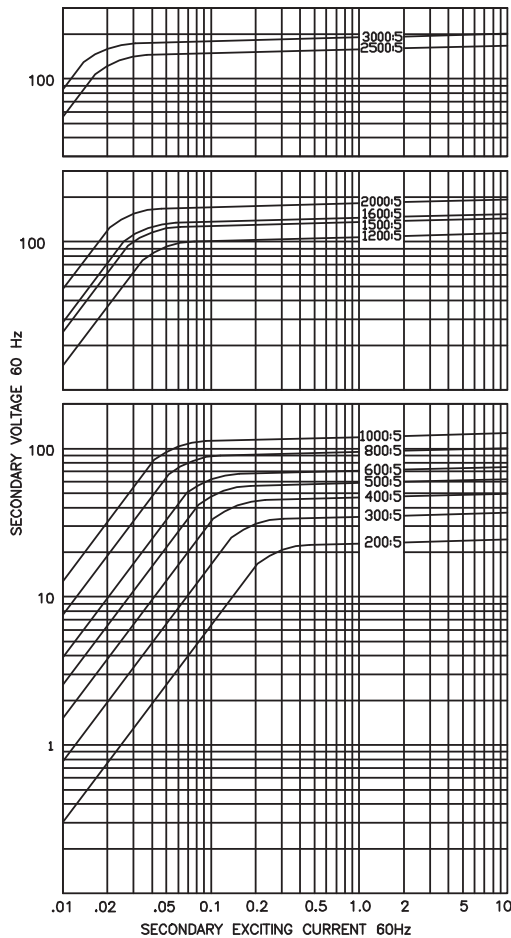


E228202

- Terminals are brass studs No. 8 - 32 with one flat washer, lockwasher and regular nut.
- Other ratios available upon request
- Order mounting bracket kit CR-CL separately.
- Approximate weight: 13 lbs.



EXCITATION CURVE



CATALOG NUMBER	CURRENT RATIO	RELAY CLASS	ANSI METERING CLASS AT 60 Hz					SECONDARY WINDING RESISTANCE (OHMS @ 75 °C)	CONTINUOUS THERMAL RATING FACTOR	
			B0.1	B0.2	B0.5	B0.9	B1.8		@ 30°C	@ 55°C
110 - 201	200:5	C10	0.6	1.2	1.2	2.4	-	0.085	2.0	2.0
110 - 301	300:5	C20	0.3	0.6	0.6	1.2	2.4	0.128	2.0	2.0
110 - 401	400:5	C20	0.3	0.3	0.3	0.6	1.2	0.152	2.0	2.0
110 - 501	500:5	C20	0.3	0.3	0.3	0.6	0.6	0.214	2.0	1.5
110 - 601	600:5	C50	0.3	0.3	0.3	0.3	0.6	0.256	2.0	1.5
110 - 801	800:5	C50	0.3	0.3	0.3	0.3	0.3	0.342	1.5	1.33
110 - 102	1000:5	C50	0.3	0.3	0.3	0.3	0.3	0.427	1.5	1.0
110 - 122	1200:5	C50	0.3	0.3	0.3	0.3	0.3	0.489	1.5	1.0
110 - 152	1500:5	C100	0.3	0.3	0.3	0.3	0.3	0.611	1.33	1.0
110 - 162	1600:5	C100	0.3	0.3	0.3	0.3	0.3	0.652	1.0	1.0
110 - 202	2000:5	C100	0.3	0.3	0.3	0.3	0.3	0.815	1.0	0.8
110 - 252	2500:5	C100	0.3	0.3	0.3	0.3	0.3	0.974	1.0	0.8
110 - 302	3000:5	C100	0.3	0.3	0.3	0.3	0.3	1.168	1.0	0.6