

CURRENT TRANSFORMER

Model 115MR

Window Diameter 4.0"

Application:
Relaying

Frequency:
50 - 400 Hz

Insulation Level:
600 Volts, 10 kv BIL full wave

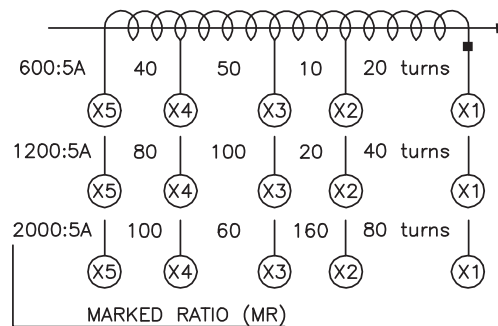
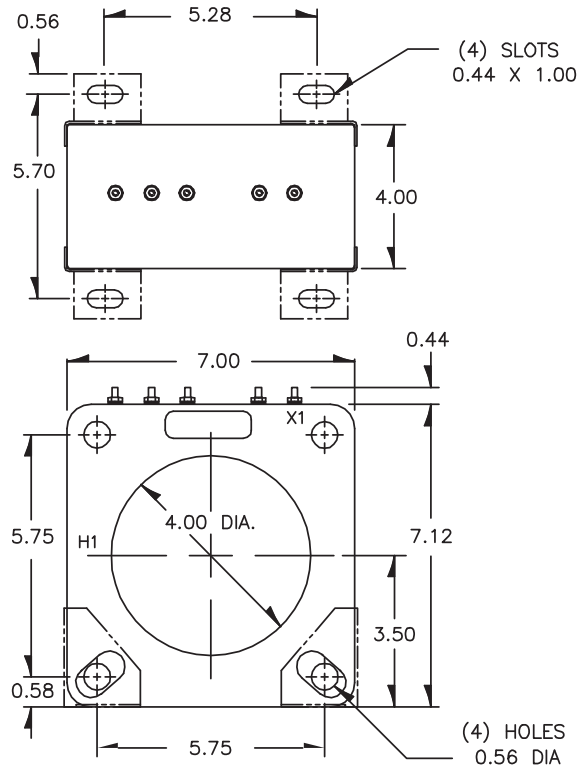
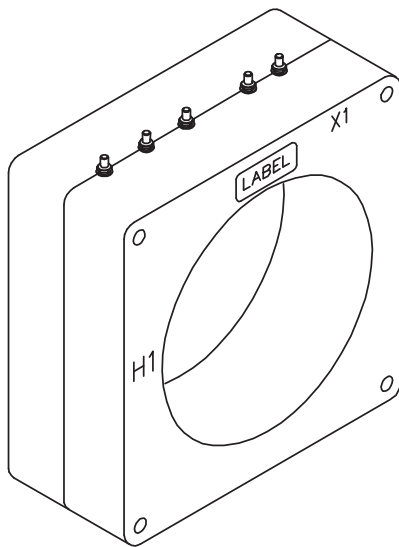


E228202

Continuous Thermal Current Rating Factor:

See TRF at curve.

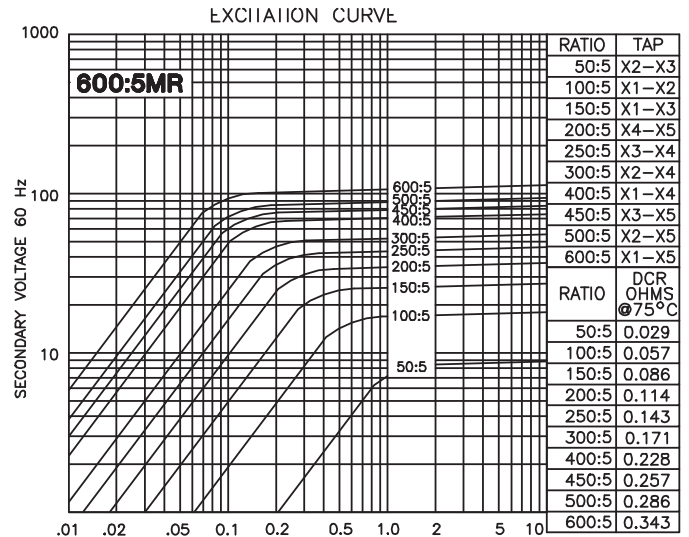
- Terminals are brass studs No. 8 - 32 with one flat washer, lockwasher and regular nut.
- The transformer winding is arranged so that the turns are fully distributed between all taps.
- Order mounting bracket kit CR-CL separately.
- Approximate weight: 19 lbs.



Models 112, 113 and 114 also available as MR.

CURRENT TRANSFORMERS

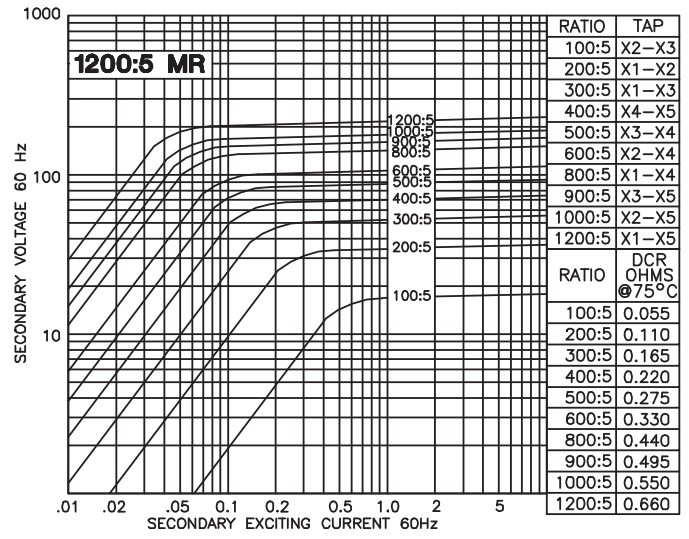
Model 115 - 601MR



Model 115-601MR - rating C50

TRF= 2.00 @ 30°C, 1.5 @ 55°C amb.

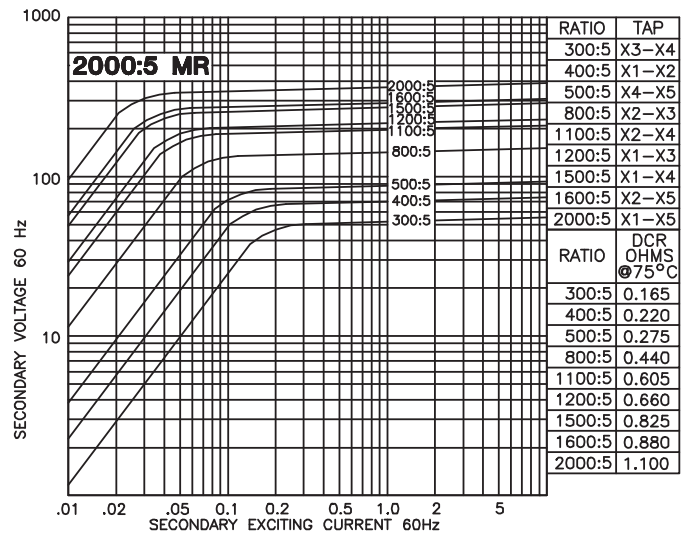
Model 115 - 122MR



Model 115-122MR - rating C100

TRF= 1.33 @ 30°C, 1.0 @ 55°C amb.

Model 115 - 202MR



Model 115-202MR - rating C200

TRF= 1.00 @ 30°C, 0.8 @ 55°C amb.