

# CURRENT TRANSFORMER

Model 117MR

Window Diameter 4.62"

**Application:**  
Relaying

**Frequency:**  
50 - 400 Hz

**Insulation Level:**  
600 Volts, 10 kv BIL full wave

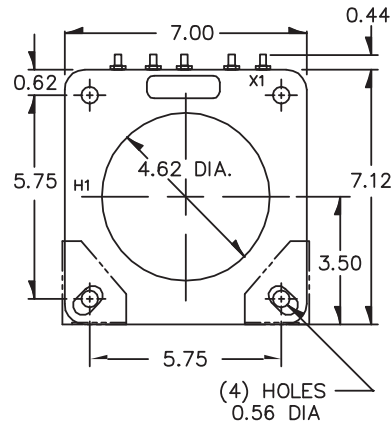
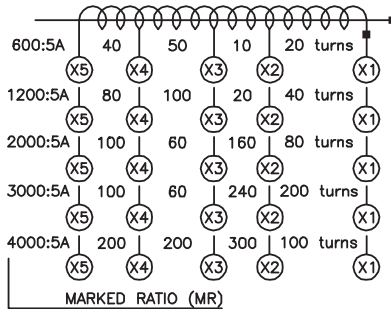
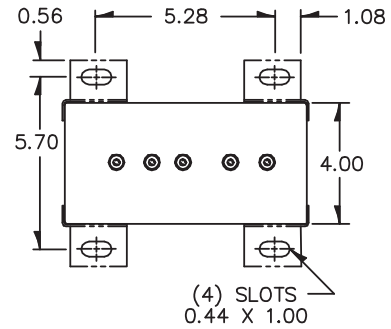
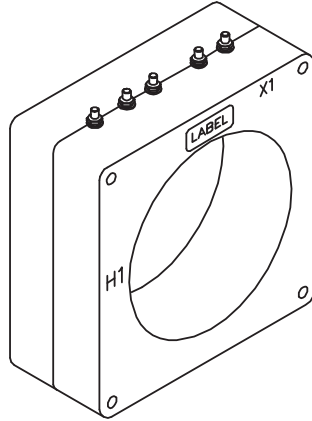


E228202

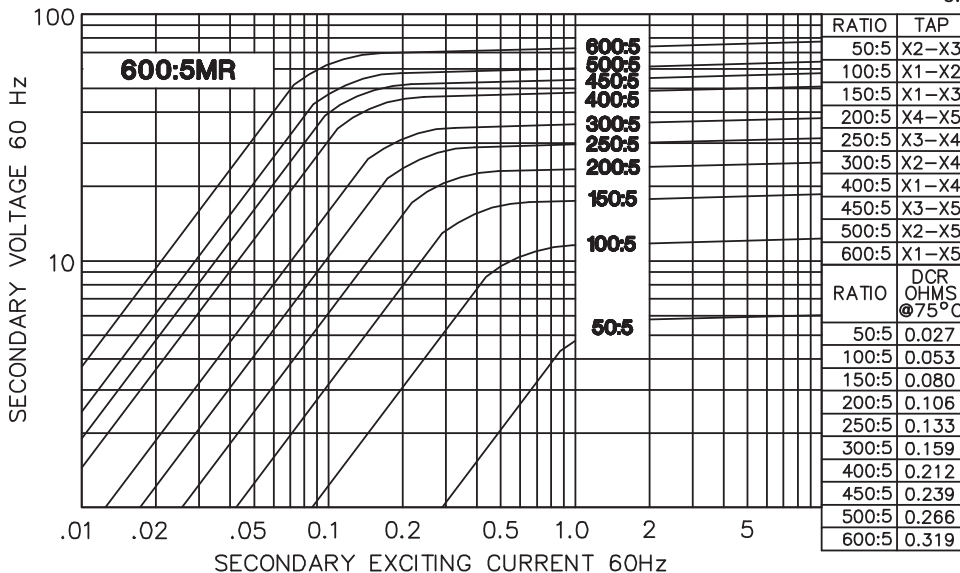
## Continuous Thermal Current Rating Factor:

See TRF at curve.

- Terminals are brass studs No. 10 - 32 with □ one flat washer, lockwasher and regular nut.
- □ The transformer winding is arranged so that the □ turns are fully distributed between all taps.
- Order mounting bracket kit CR-CL separately.
- □ Approximate weight: 13 lbs.



EXCITATION CURVE

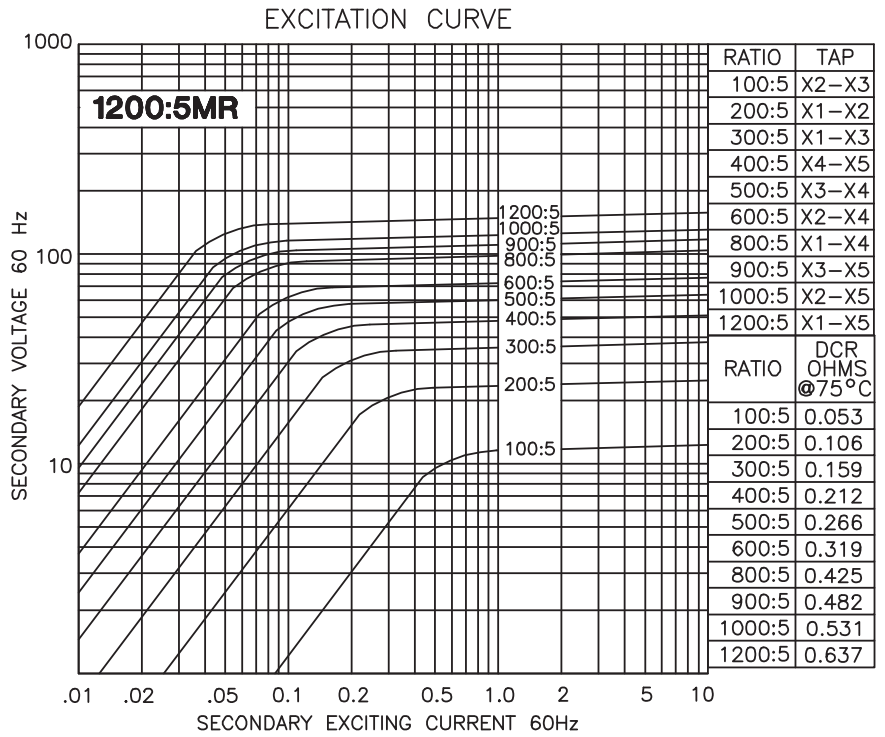


Model 117-601MR - rating C20

TRF= 2.0 @ 30°C, 1.5 @ 55°C amb.

# CURRENT TRANSFORMERS

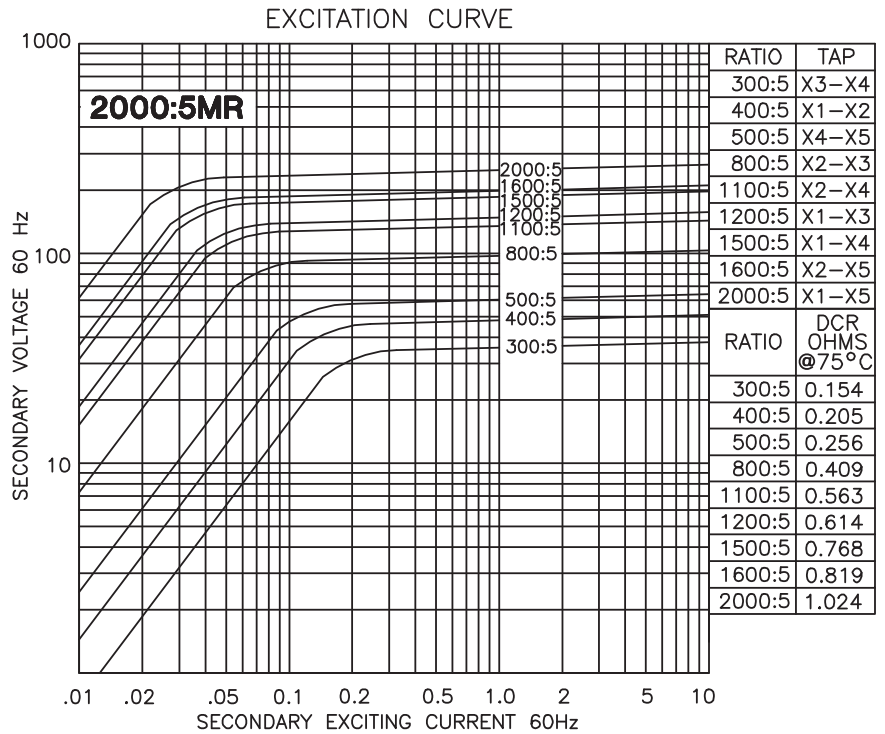
## Model 117 - 122MR



### Model 117-122MR - rating C100

TRF= 1.33 @ 30°C, 1.0 @ 55°C amb.

## Model 117 - 202MR



### Model 117-202MR - rating C50

TRF= 1.00 @ 30°C, 0.6 @ 55°C amb.