

# CURRENT TRANSFORMER

Model 120

Window Diameter 5.75"

**Application:**  
Relaying and Metering

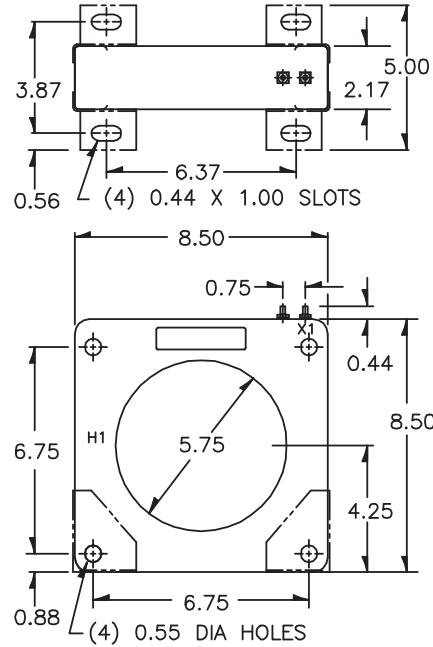
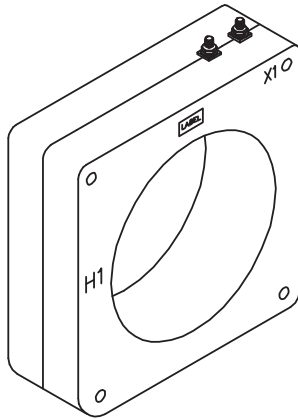
**Frequency:**  
50 - 400 Hz

**Insulation Level:**  
600 Volts, 10 kv BIL full wave

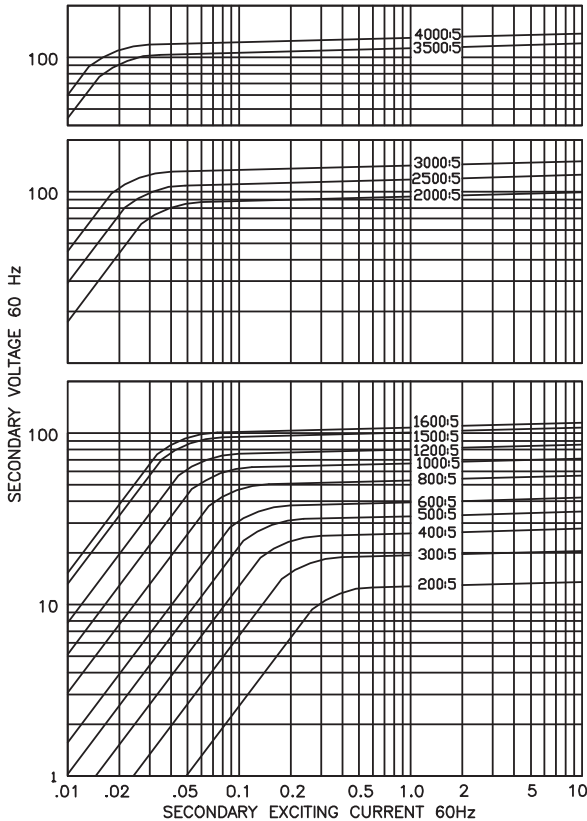


E228202

- Terminals are brass studs No. 8 - 32 with  
□ one flat washer, lockwasher and regular nut.
- □ Multi ratios available upon request
- Order mounting bracket kit CR-CL separately.
- □ Approximate weight: 11 lbs.



EXCITATION CURVE



CATALOG NUMBER	CURRENT RATIO	RELAY CLASS	ANSI METERING CLASS AT 60 Hz					SECONDARY WINDING RESISTANCE (DHMS @ 75°C)	CONTINUOUS THERMAL RATING FACTOR	
			B0.1	B0.2	B0.5	B0.9	B1.8		@30°C	@55°C
120-201	200:5	-	1.2	1.2	2.4	4.8	4.8	0.053	2.0	2.0
120-301	300:5 *	C10	0.3	0.6	1.2	2.4	2.4	0.063	2.0	2.0
120-401	400:5 *	C10	0.3	0.3	0.6	1.2	2.4	0.080	2.0	2.0
120-501	500:5 *	C20	0.3	0.3	0.3	0.6	1.2	0.137	2.0	2.0
120-601	600:5 *	C20	0.3	0.3	0.3	0.6	0.6	0.165	2.0	2.0
120-801	800:5 *	C20	0.3	0.3	0.3	0.3	0.6	0.220	2.0	1.5
120-102	1000:5 *	C20	0.3	0.3	0.3	0.3	0.3	0.309	1.5	1.5
120-122	1200:5 *	C50	0.3	0.3	0.3	0.3	0.3	0.371	1.5	1.33
120-152	1500:5 *	C50	0.3	0.3	0.3	0.3	0.3	0.464	1.5	1.0
120-162	1600:5 *	C50	0.3	0.3	0.3	0.3	0.3	0.494	1.33	1.0
120-202	2000:5 *	C50	0.3	0.3	0.3	0.3	0.3	0.592	1.33	1.0
120-252	2500:5 *	C50	0.3	0.3	0.3	0.3	0.3	0.740	1.0	0.8
120-302	3000:5 *	C50	0.3	0.3	0.3	0.3	0.3	0.888	1.0	0.8
120-352	3500:5	C20	0.3	0.3	0.3	0.3	0.3	0.964	1.0	0.8
120-402	4000:5 *	C50	0.3	0.3	0.3	0.3	0.3	1.102	1.0	0.8