

CURRENT TRANSFORMER

Model 135

Window Diameter 5.75"

Application:
Relaying and Metering

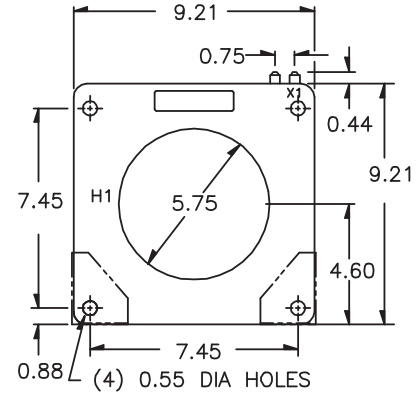
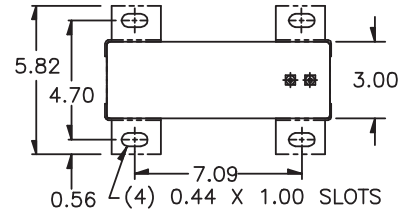
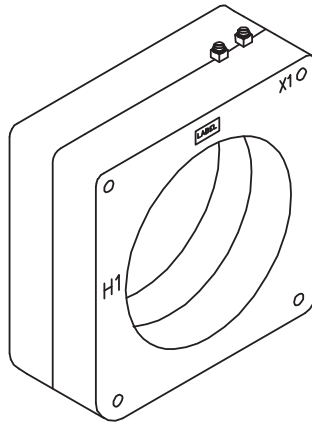
Frequency:
50 - 400 Hz

Insulation Level:
600 Volts, 10 kv BIL full wave

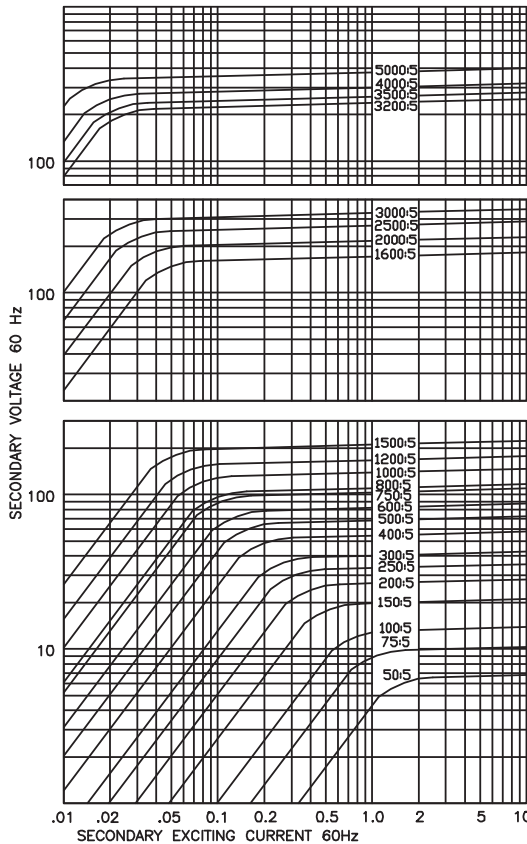


E228202

- Terminals are brass screws No. 10 - 32
□ with one flat washer, lockwasher and regular nut.
- □ Multi ratios available upon request
- Order mounting bracket kit CR-CL separately.
- □ Approximate weight: 18 lbs.



EXCITATION CURVE



CATALOG NUMBER	CURRENT RATIO	RELAY CLASS	ANSI METERING CLASS AT 60 Hz					SECONDARY WINDING RESISTANCE (OHMS @ 75 °C)	CONTINUOUS THERMAL RATING FACTOR	
			B0.1	B0.2	B0.5	B0.9	B1.8		@30°C	@55°C
135-500	50:5	-	4.8	-	-	-	-	0.015	2.0	2.0
135-750	75:5	-	2.4	4.8	-	-	-	0.027	2.0	2.0
135-101	100:5	-	1.2	2.4	4.8	-	-	0.036	2.0	2.0
135-151	150:5	C10	0.6	1.2	2.4	4.8	-	0.059	2.0	2.0
135-201	200:5 *	C10	0.6	0.6	1.2	2.4	4.8	0.078	2.0	2.0
135-251	250:5 *	C20	0.6	0.6	1.2	2.4	2.4	0.113	2.0	2.0
135-301	300:5 *	C20	0.3	0.3	0.6	1.2	2.4	0.117	2.0	2.0
135-401	400:5 *	C20	0.3	0.3	0.3	0.6	1.2	0.156	2.0	2.0
135-501	500:5 *	C50	0.3	0.3	0.3	0.3	0.6	0.181	2.0	2.0
135-601	600:5 *	C50	0.3	0.3	0.3	0.3	0.6	0.217	2.0	2.0
135-751	750:5 *	C50	0.3	0.3	0.3	0.3	0.6	0.339	2.0	1.5
135-801	800:5 *	C50	0.3	0.3	0.3	0.3	0.6	0.362	2.0	1.5
135-102	1000:5 *	C100	0.3	0.3	0.3	0.3	0.3	0.452	1.5	1.33
135-122	1200:5 *	C100	0.3	0.3	0.3	0.3	0.3	0.543	1.5	1.33
135-152	1500:5 *	C100	0.3	0.3	0.3	0.3	0.3	0.678	1.5	1.0
135-162	1600:5 *	C100	0.3	0.3	0.3	0.3	0.3	0.694	1.5	1.0
135-202	2000:5 *	C100	0.3	0.3	0.3	0.3	0.3	0.867	1.33	1.0
135-252	2500:5 *	C200	0.3	0.3	0.3	0.3	0.3	1.084	1.0	0.8
135-302	3000:5 *	C200	0.3	0.3	0.3	0.3	0.3	1.301	1.0	0.8
135-322	3200:5 *	C200	0.3	0.3	0.3	0.3	0.3	1.279	1.0	0.8
135-352	3500:5 *	C200	0.3	0.3	0.3	0.3	0.3	1.399	1.0	0.8
135-402	4000:5 *	C200	0.3	0.3	0.3	0.3	0.3	1.598	1.0	0.6
135-502	5000:5 *	C200	0.3	0.3	0.3	0.3	0.3	2.459	1.0	0.6