

CURRENT TRANSFORMER

Model 140MR

Window Diameter 8.13"

Application:
Relaying

Frequency:
50 - 400 Hz

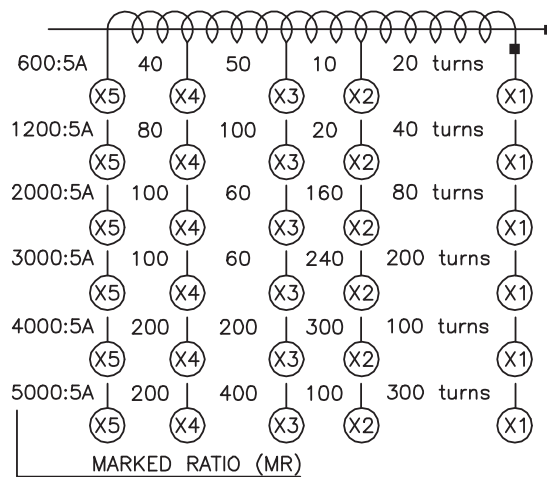
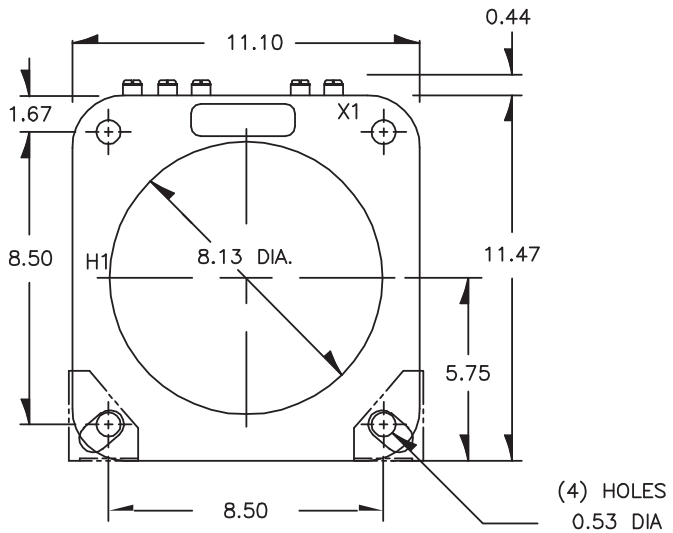
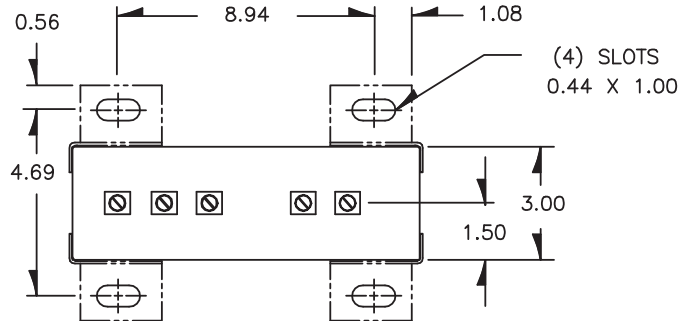
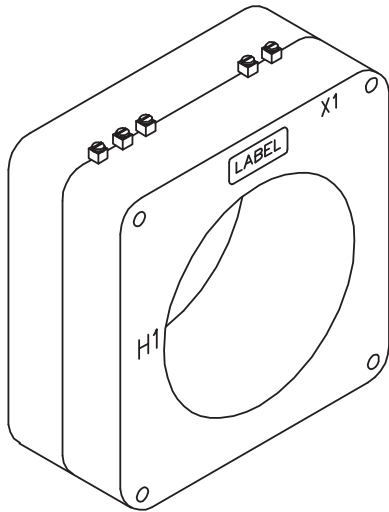
Insulation Level:
600 Volts, 10 kv BIL full wave

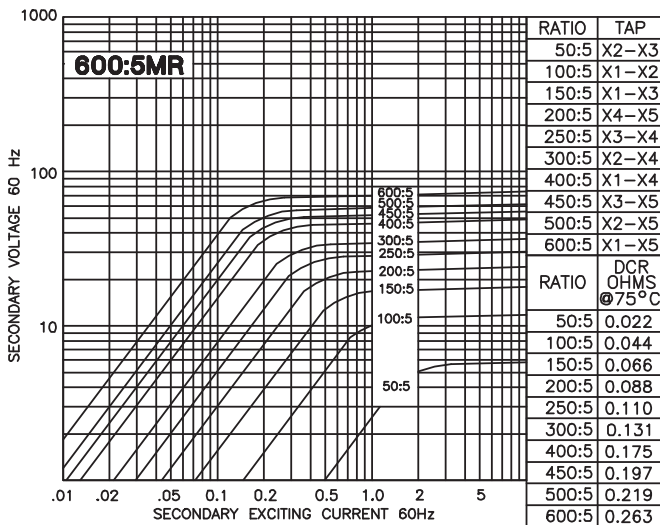


E228202

Continuous Thermal Current Rating Factor:
See TRF at curve.

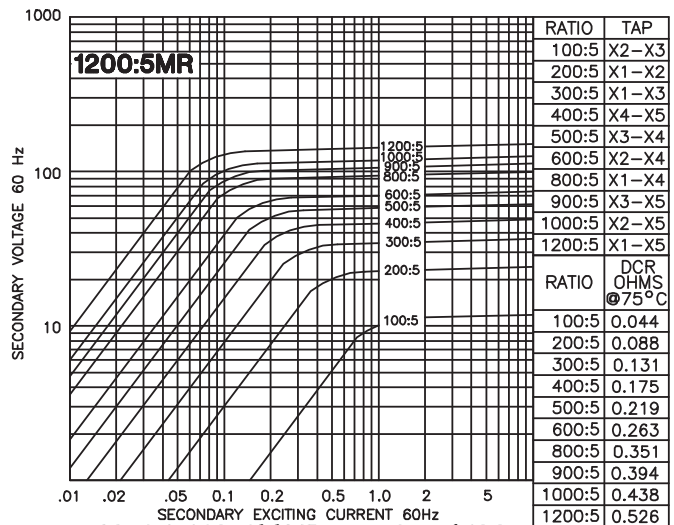
- Terminals are brass screws No. 10 - 32 with one flatwasher, lockwasher and regular nut.
- The transformer winding is arranged so that the the turns are fully distributed between all taps.
- Order mounting bracket kit No. CR-CL separately.
- Approximate weight: 23 lbs





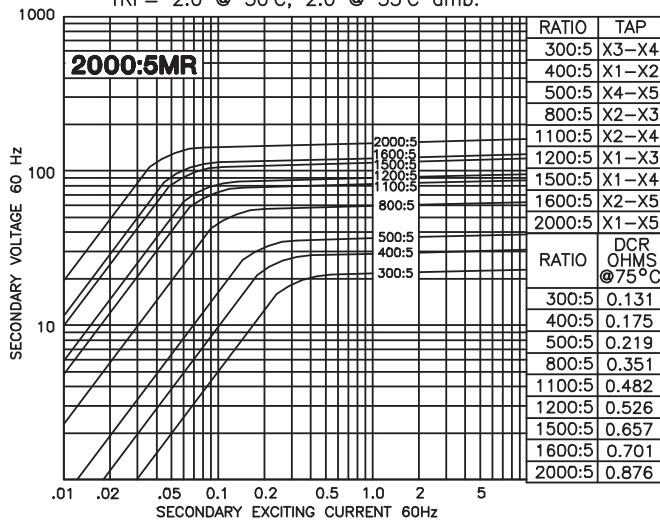
Model 140-601MR - rating C50

TRF= 2.0 @ 30°C, 2.0 @ 55°C amb.



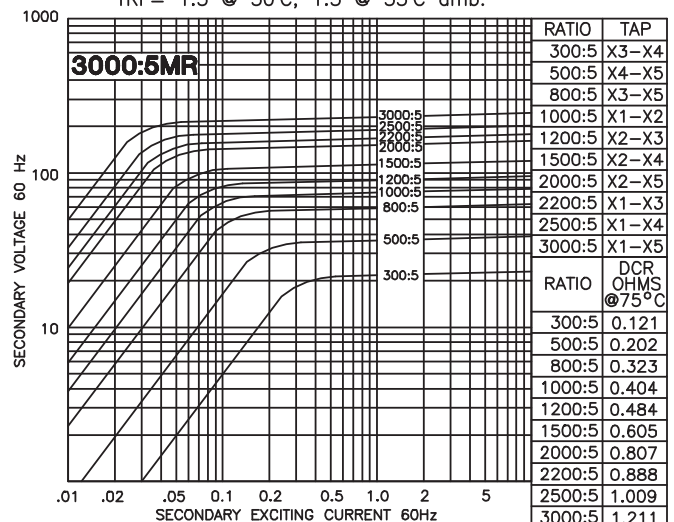
Model 140-122MR - rating C100

TRF= 1.5 @ 30°C, 1.5 @ 55°C amb.



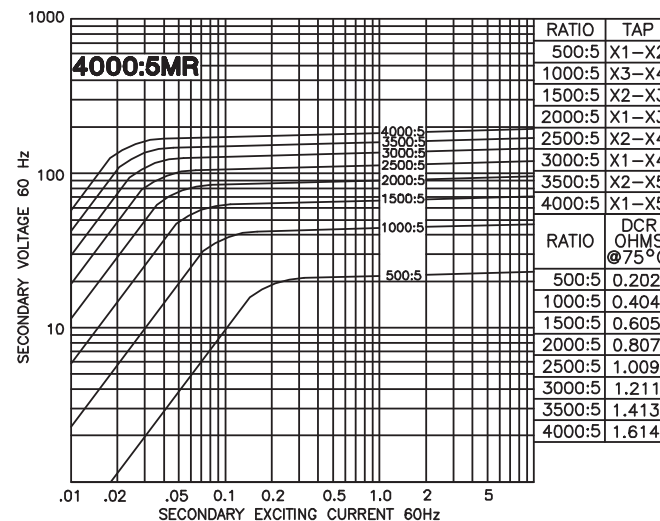
Model 140-202MR - rating C100

TRF= 1.33 @ 30°C, 1.0 @ 55°C amb.



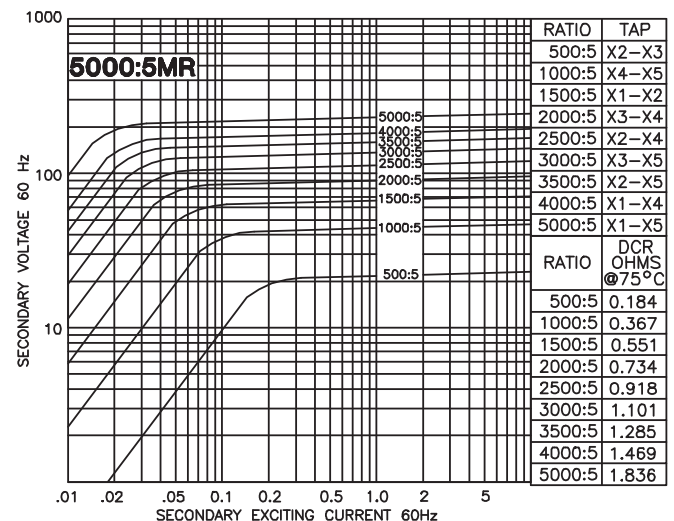
Model 140-302MR - rating C100

TRF= 1.0 @ 30°C, 0.8 @ 55°C amb.



Model 140-402MR - rating C200

TRF= 1.0 @ 30°C, 0.8 @ 55°C amb.



Model 140-502MR - rating C50

TRF= 1.0 @ 30°C, 0.8 @ 55°C amb.