

CURRENT TRANSFORMER

Model 141

Window Diameter 8.13"

Application:
Relaying and Metering

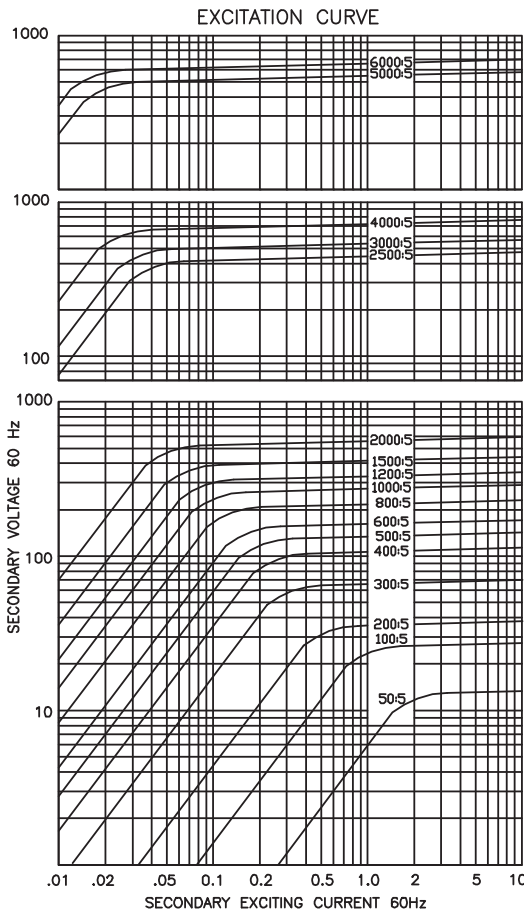
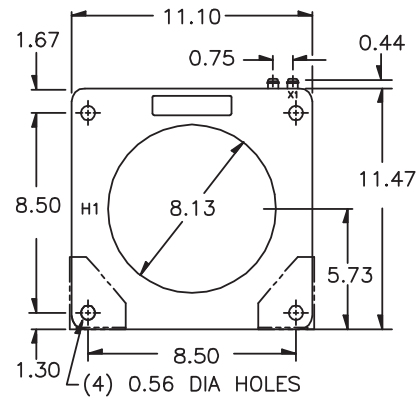
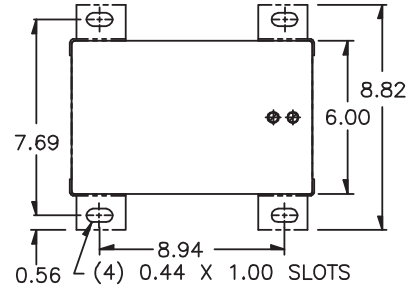
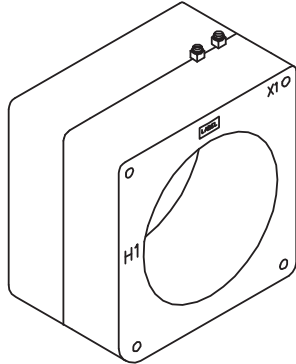
Frequency:
50 - 400 Hz

Insulation Level:
600 Volts, 10 kv BIL full wave

- Terminals are brass screws No. 10 - 32 with one flatwasher, lockwasher and regular nut.
- Multi-ratios available on request.
- Order mounting bracket kit No. CR-CL separately.
- Approximate weight: 44 lbs



E228202



| CATALOG NUMBER | CURRENT RATIO | RELAY CLASS | ANSI METERING CLASS AT 60 Hz | | | | | SECONDARY WINDING RESISTANCE (OHMS @ 75 °C) | CONTINUOUS THERMAL RATING FACTOR | |
|----------------|---------------|-------------|------------------------------|------|------|------|------|---|----------------------------------|-------|
| | | | B0.1 | B0.2 | B0.5 | B0.9 | B1.8 | | @30°C | @55°C |
| 141-500 | 50:5 | C10 | 4.8 | - | - | - | - | 0.033 | 2.0 | 2.0 |
| 141-101 | 100:5 | C10 | 2.4 | 2.4 | - | - | - | 0.066 | 2.0 | 2.0 |
| 141-201 | 200:5 | C20 | 0.6 | 1.2 | 1.2 | 2.4 | 4.8 | 0.117 | 2.0 | 2.0 |
| 141-301 | 300:5 | C50 | 0.6 | 0.6 | 1.2 | 1.2 | 2.4 | 0.248 | 2.0 | 2.0 |
| 141-401 | 400:5 * | C50 | 0.3 | 0.3 | 0.6 | 0.6 | 1.2 | 0.277 | 2.0 | 2.0 |
| 141-501 | 500:5 * | C100 | 0.3 | 0.3 | 0.3 | 0.6 | 0.6 | 0.415 | 2.0 | 2.0 |
| 141-601 | 600:5 * | C100 | 0.3 | 0.3 | 0.3 | 0.3 | 0.6 | 0.498 | 2.0 | 1.5 |
| 141-801 | 800:5 * | C100 | 0.3 | 0.3 | 0.3 | 0.3 | 0.3 | 0.664 | 2.0 | 1.5 |
| 141-102 | 1000:5 * | C200 | 0.3 | 0.3 | 0.3 | 0.3 | 0.3 | 0.829 | 2.0 | 1.5 |
| 141-122 | 1200:5 * | C200 | 0.3 | 0.3 | 0.3 | 0.3 | 0.3 | 1.002 | 2.0 | 1.5 |
| 141-152 | 1500:5 * | C400 | 0.3 | 0.3 | 0.3 | 0.3 | 0.3 | 1.253 | 2.0 | 1.5 |
| 141-202 | 2000:5 * | C400 | 0.3 | 0.3 | 0.3 | 0.3 | 0.3 | 1.659 | 1.33 | 1.0 |
| 141-252 | 2500:5 * | C400 | 0.3 | 0.3 | 0.3 | 0.3 | 0.3 | 1.963 | 1.5 | 1.33 |
| 141-302 | 3000:5 * | C400 | 0.3 | 0.3 | 0.3 | 0.3 | 0.3 | 2.356 | 1.5 | 1.0 |
| 141-402 | 4000:5 * | C400 | 0.3 | 0.3 | 0.3 | 0.3 | 0.3 | 3.141 | 1.0 | 0.8 |
| 141-502 | 5000:5 * | C200 | 0.3 | 0.3 | 0.3 | 0.3 | 0.3 | 2.862 | 1.0 | 0.8 |
| 141-602 | 6000:5 * | C400 | 0.3 | 0.3 | 0.3 | 0.3 | 0.3 | 4.302 | 1.0 | 0.6 |