

CURRENT TRANSFORMER

Model 144

Window Diameter 6.0"

Application:
Relaying and Metering

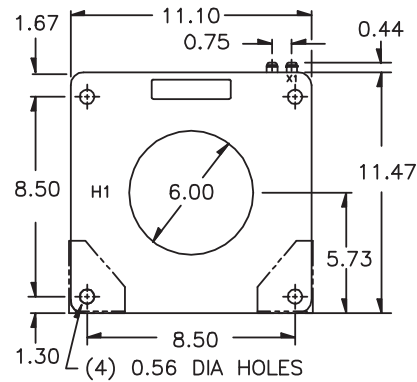
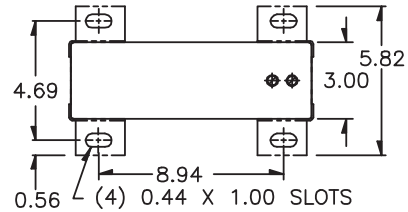
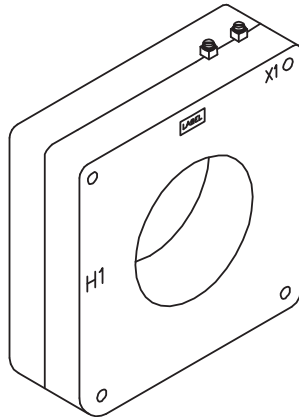
Frequency:
50 - 400 Hz

Insulation Level:
600 Volts, 10 kv BIL full wave

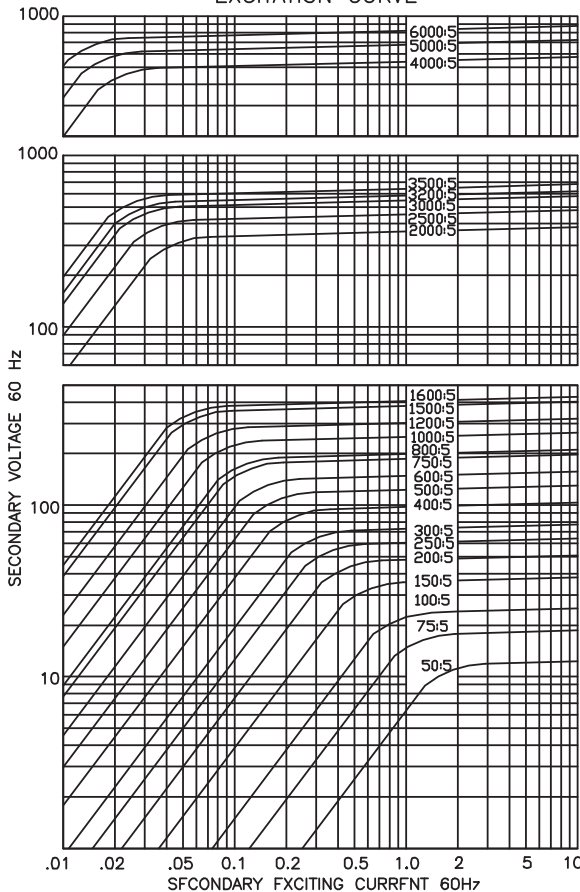
- Terminals are brass screws No. 10 - 32 with one flat washer, lockwasher and regular nut.
- Multi ratios available upon request
- Order mounting bracket kit CR-CL separately.
- Approximate weight: 40 lbs.



E228202



EXCITATION CURVE



CATALOG NUMBER	CURRENT RATIO	RELAY CLASS	ANSI METERING CLASS AT 60 Hz					SECONDARY WINDING RESISTANCE (OHMS @ 75 °C)	CONTINUOUS THERMAL RATING FACTOR	
			B0.1	B0.2	B0.5	B0.9	B1.8		@30°C	@55°C
144-500	50:5	-	2.4	4.8	-	-	-	0.020	2.0	2.0
144-750	75:5	C10	1.2	2.4	-	-	-	0.032	2.0	2.0
144-101	100:5	C10	1.2	1.2	2.4	4.8	-	0.040	2.0	2.0
144-151	150:5 *	C20	0.6	0.6	1.2	2.4	4.8	0.057	2.0	2.0
144-201	200:5 *	C20	0.6	0.6	1.2	2.4	2.4	0.067	2.0	2.0
144-251	250:5 *	C50	0.3	0.3	0.6	1.2	2.4	0.125	2.0	2.0
144-301	300:5 *	C50	0.3	0.3	0.6	0.6	1.2	0.150	2.0	2.0
144-401	400:5 *	C50	0.3	0.3	0.3	0.6	0.6	0.195	2.0	2.0
144-501	500:5 *	C100	0.3	0.3	0.3	0.6	0.6	0.282	2.0	2.0
144-601	600:5 *	C100	0.3	0.3	0.3	0.3	0.6	0.338	2.0	1.5
144-751	750:5 *	C100	0.3	0.3	0.3	0.3	0.3	0.213	2.0	2.0
144-801	800:5 *	C100	0.3	0.3	0.3	0.3	0.3	0.451	2.0	1.5
144-102	1000:5 *	C200	0.3	0.3	0.3	0.3	0.3	0.563	2.0	1.5
144-122	1200:5 *	C200	0.3	0.3	0.3	0.3	0.3	0.676	1.5	1.33
144-152	1500:5 *	C200	0.3	0.3	0.3	0.3	0.3	0.845	1.5	1.0
144-162	1600:5 *	C200	0.3	0.3	0.3	0.3	0.3	0.902	1.5	1.0
144-202	2000:5 *	C200	0.3	0.3	0.3	0.3	0.3	1.002	1.5	1.0
144-252	2500:5 *	C400	0.3	0.3	0.3	0.3	0.3	1.252	1.33	1.0
144-302	3000:5 *	C400	0.3	0.3	0.3	0.3	0.3	1.503	1.0	0.8
144-322	3200:5 *	C400	0.3	0.3	0.3	0.3	0.3	1.603	1.0	0.8
144-352	3500:5 *	C200	0.3	0.3	0.3	0.3	0.3	1.592	1.0	0.8
144-402	4000:5 *	C400	0.3	0.3	0.3	0.3	0.3	1.820	1.0	0.8
144-502	5000:5 *	C400	0.3	0.3	0.3	0.3	0.3	2.275	1.0	0.6
144-602	6000:5 *	C400	0.3	0.3	0.3	0.3	0.3	2.730	0.8	0.6