

CURRENT TRANSFORMER

Model 145

Window Diameter 6.0"

Application:
Relaying and Metering

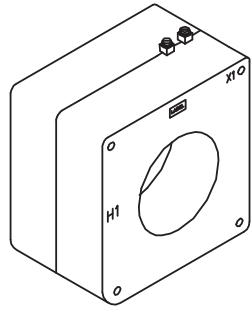
Frequency:
50 - 400 Hz

Insulation Level:
600 Volts, 10 kv BIL full wave

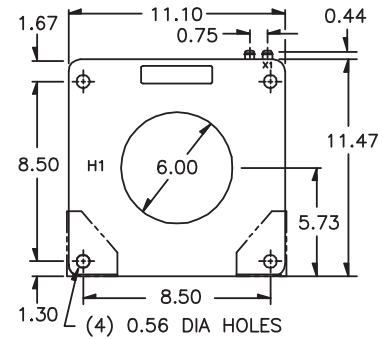
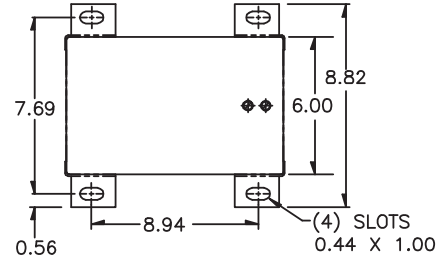
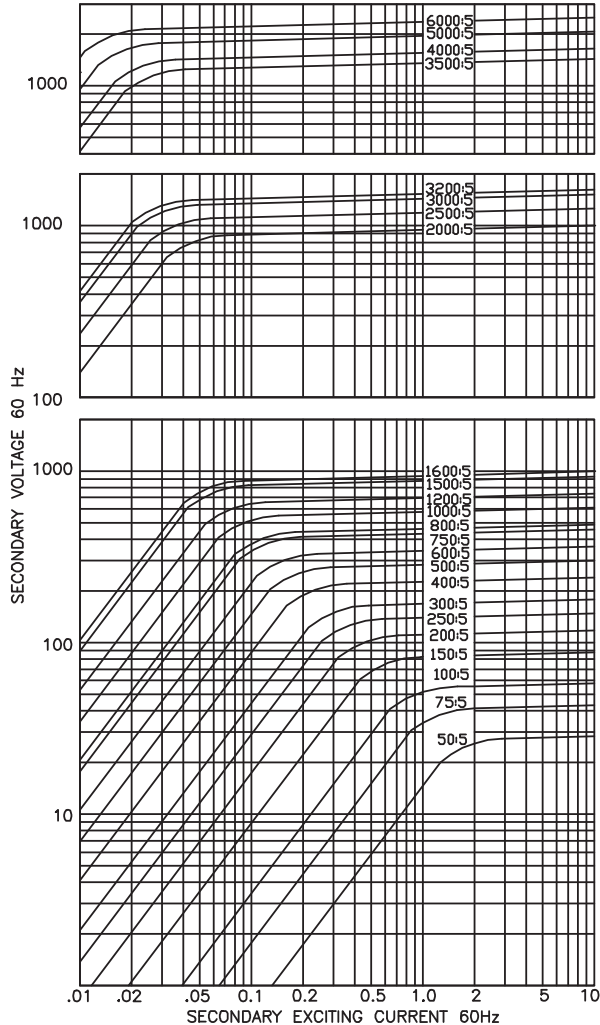
- Terminals are brass screws No. 10 - 32 with one flatwasher, lockwasher and regular nut.
- Multi-ratios available on request.
- Order mounting bracket kit No. CR-CL separately.
- Approximate weight: 83 lbs



E228202



EXCITATION CURVE



CATALOG NUMBER	CURRENT RATIO	RELAY CLASS	ANSI METERING CLASS AT 60 Hz					SECONDARY WINDING RESISTANCE (OHMS @ 75 °C)	CONTINUOUS THERMAL RATING FACTOR	
			B0.1	B0.2	B0.5	B0.9	B1.8		@30°C	@55°C
145-500	50:5	C20	1.2	4.8	-	-	-	0.030	2.0	2.0
145-750	75:5	C20	1.2	2.4	4.8	4.8	-	0.045	2.0	2.0
145-101	100:5 *	C20	0.6	1.2	2.4	4.8	4.8	0.061	2.0	2.0
145-151	150:5 *	C50	0.6	0.6	1.2	2.4	2.4	0.091	2.0	2.0
145-201	200:5 *	C100	0.3	0.6	0.6	1.2	2.4	0.121	2.0	2.0
145-251	250:5 *	C100	0.3	0.3	0.6	0.6	1.2	0.152	2.0	2.0
145-301	300:5 *	C100	0.3	0.3	0.3	0.6	1.2	0.288	2.0	2.0
145-401	400:5 *	C200	0.3	0.3	0.3	0.3	0.6	0.384	2.0	2.0
145-501	500:5 *	C200	0.3	0.3	0.3	0.3	0.3	0.480	2.0	1.5
145-601	600:5 *	C200	0.3	0.3	0.3	0.3	0.3	0.576	2.0	1.5
145-751	750:5 *	C400	0.3	0.3	0.3	0.3	0.3	0.720	2.0	1.5
145-801	800:5 *	C400	0.3	0.3	0.3	0.3	0.3	0.768	2.0	1.5
145-102	1000:5 *	C400	0.3	0.3	0.3	0.3	0.3	0.960	1.5	1.33
145-122	1200:5 *	C400	0.3	0.3	0.3	0.3	0.3	1.153	1.5	1.0
145-152	1500:5 *	C800	0.3	0.3	0.3	0.3	0.3	1.441	1.5	1.0
145-162	1600:5 *	C800	0.3	0.3	0.3	0.3	0.3	1.537	1.33	1.0
145-202	2000:5 *	C800	0.3	0.3	0.3	0.3	0.3	1.829	1.33	1.0
145-252	2500:5 *	C800	0.3	0.3	0.3	0.3	0.3	2.286	1.0	0.8
145-302	3000:5 *	C800	0.3	0.3	0.3	0.3	0.3	2.743	1.0	0.8
145-322	3200:5 *	C800	0.3	0.3	0.3	0.3	0.3	2.926	1.0	0.8
145-352	3500:5 *	C800	0.3	0.3	0.3	0.3	0.3	3.040	1.0	0.8
145-402	4000:5 *	C800	0.3	0.3	0.3	0.3	0.3	3.474	1.0	0.6
145-502	5000:5 *	C800	0.3	0.3	0.3	0.3	0.3	4.342	0.8	0.6
145-602	6000:5 *	C800	0.3	0.3	0.3	0.3	0.3	5.211	0.8	0.6