

CURRENT TRANSFORMER

Model 13

Window Diameter 0.56"

These three lightweight, miniature current transformers are suitable for direct mounting on printed circuit boards. Model 13 is provided with standard hexagon nuts, to secure the transformer to the board so that the assembly can withstand vibration and shock while maintaining electrical integrity. The graphs below illustrate the voltage output capacity of each, and over the ranges shown, will maintain a $\pm 3\%$ linearity.

Application:

For current to voltage conversion by use of a loading resistor.

Insulation Level:

600 Volts, 10 kv BIL full wave

Frequency:

50 - 400 Hz

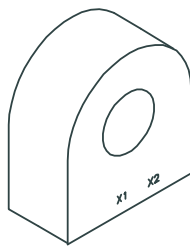
Continuous Thermal Current Rating Factor:

200A at 30° C amb., 120A at 55° C amb.

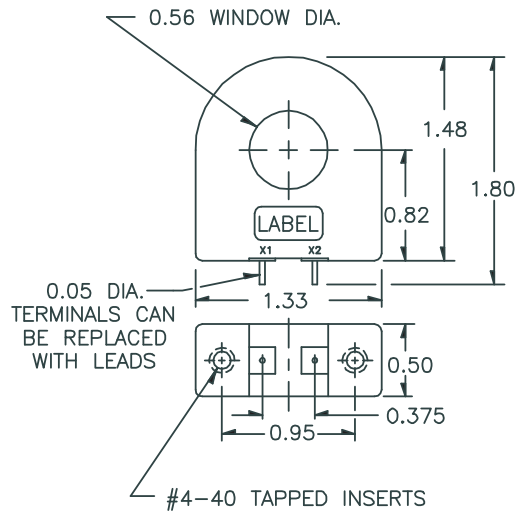


E228202

• Approximate weight: 0.1 - 0.2 lbs.



Model 13



TYPICAL PERFORMANCE CHARACTERISTICS

