

# CURRENT TRANSFORMERS

Models 1A & 1B

Window Diameter 0.64"

**Application:**  
With ammeters, energy management systems and instrumentation.

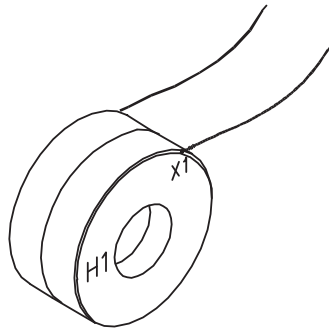
**Frequency:**  
50 - 400 Hz

**Insulation Level:**  
600 Volts, 10 kv BIL full wave

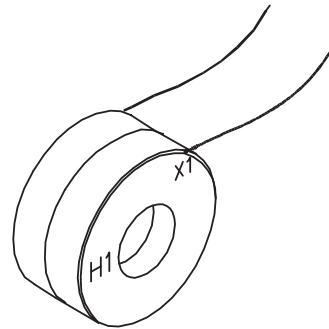
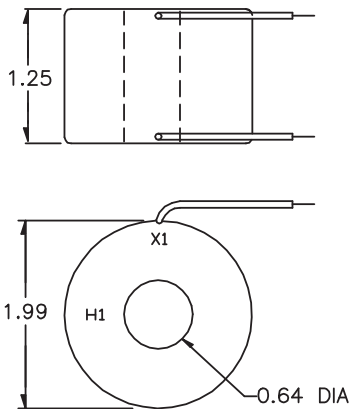
- Flexible leads are UL 1015 105°C, CSA approved
- #16 AWG, 24" long
- Non-standard length to be specified.
- 1 Amp. and other secondary currents
- available upon request.
- Approximate weight:
- Model 1A: 0.42lb
- Model 1B: 0.59lb



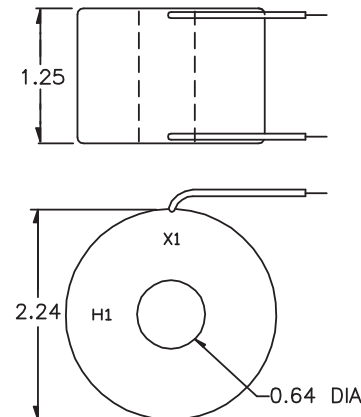
E228202



**Model 1A**



**Model 1B**



CATALOG NUMBER	CURRENT RATIO	ACCURACY AT 60 Hz	BURDEN VA AT 60 Hz
1A-500	50:5	± 2 %	1.0
1A-600	60:5	± 1 %	2.0
1A-750	75:5	± 1 %	2.0
1A-800	80:5	± 1 %	2.0
1A-101	100:5	± 1 %	2.5
1A-121	120:5	± 1 %	3.0
1A-1250	125:5	± 1 %	3.0
1A-151	150:5	± 1 %	4.0
1A-201	200:5	± 1 %	5.0
1A-251	250:5	± 1 %	7.5

CATALOG NUMBER	CURRENT RATIO	ACCURACY AT 60 Hz	BURDEN VA AT 60 Hz
1B-500	50:5	± 2 %	1.0
1B-600	60:5	± 1 %	2.0
1B-750	75:5	± 1 %	2.5
1B-800	80:5	± 1 %	3.0
1B-101	100:5	± 1 %	4.0
1B-121	120:5	± 1 %	5.0
1B-1250	125:5	± 1 %	5.0
1B-151	150:5	± 1 %	7.5
1B-201	200:5	± 1 %	10.0
1B-251	250:5	± 1 %	12.5