

# CURRENT TRANSFORMER

## Model 2

Window Diameters  
1.00", 1.05", 1.13"

**Application:**  
Generally for ammeter use only.

**Frequency:**  
50 - 400 Hz

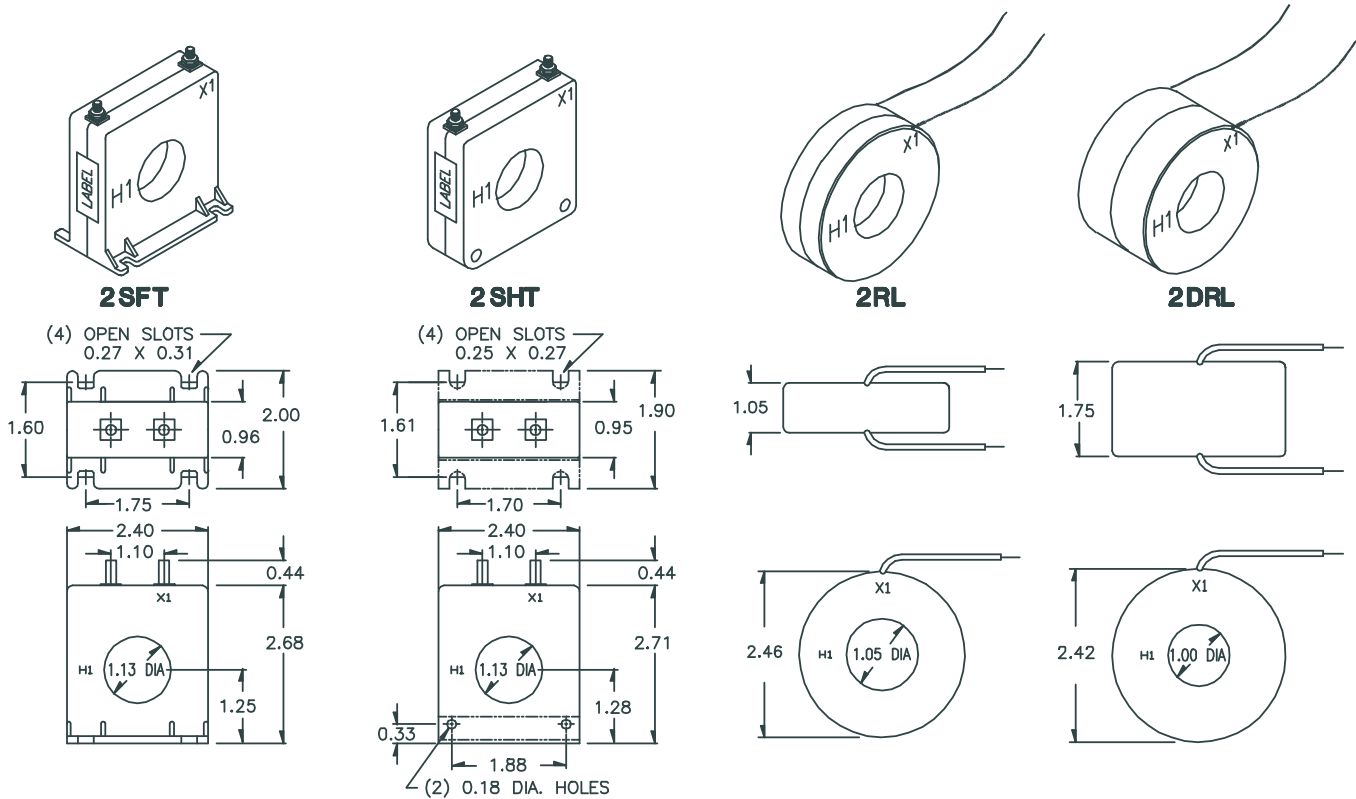
**Insulation Level:**  
600 Volts, 10 kv BIL full wave

**Rating Factor:**  
2.0 @ 30°C amb.



E228202

- Flexible leads are UL 1015 105°C, CSA approved
- #16 AWG, 24" long
- Non-standard length to be specified.
- Terminals are brass studs No. 8 - 32 UNC with
  - one flat washer, lockwasher and regular nut.
- SHT and SFT case styles also available as
  - SHL SFL with leads.
- Mounting bracket kit A when required for
  - Model 2SHT.
- Approximate weight: 0.5 lb.



CATALOG NUMBER	CURRENT RATIO	MODELS 2SFT, 2SHT, 2RL		MODEL 2DRL	
		ACCURACY AT 60 Hz	BURDEN VA AT 60 Hz	ACCURACY AT 60 Hz	BURDEN VA at 60 Hz
2**-500	50:5	± 3 %	2.0	± 2 %	1.5
2**-600	60:5	± 2 %	2.0	± 1 %	2.5
2**-750	75:5	± 2 %	2.0	± 1 %	3.5
2**-800	80:5	± 2 %	2.0	± 1 %	4.0
2**-101	100:5	± 1 %	2.0	± 1 %	5.0
2**-121	120:5	± 1 %	2.5	± 1 %	5.0
2**-1250	125:5	± 1 %	2.5	± 1 %	5.0
2**-151	150:5	± 1 %	4.0	± 1 %	8.0
2**-201	200:5	± 1 %	4.0	± 1 %	10.0
2**-251	250:5	± 1 %	6.0	± 1 %	12.5
2**-301	300:5	± 1 %	8.0	± 1 %	15.0
2**-401	400:5	± 1 %	10.0	± 1 %	20.0

\*\* NOTE: When ordering, prefix Cat. No. with model designation required, i.e. 2SFT-301, 2RL-301, OR 2DRL-301, etc.