

CURRENT TRANSFORMER

Model 76

Window Diameter 3.00"

Application:

With ammeters, wattmeters and cross current compensation.

Frequency:

50 - 400 Hz

Insulation Level:

600 Volts, 10 kv BIL full wave

- Flexible leads are UL 1015 105°C, CSA approved #16 AWG, 24" long

- Non-standard length to be specified.

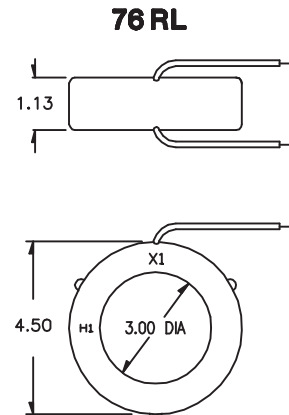
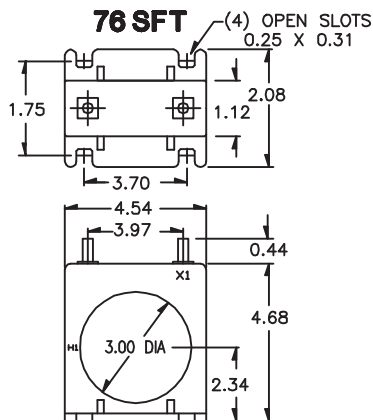
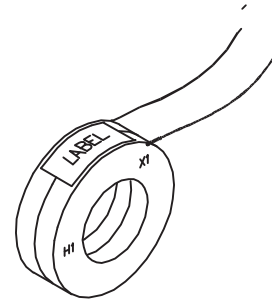
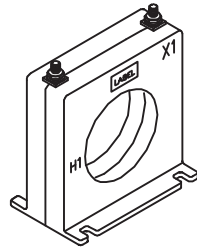
- Terminals are brass studs No. 8 - 32 with one flat washer, lockwasher and regular nut.

- SFT case styles also available as SFL with leads.

- Approximate weight: 0.9 lb.



E228202



CATALOG NUMBER	CURRENT RATIO	ACCURACY AT 60 Hz	BURDEN VA at 60 Hz
76**-201	200:5	± 1 %	5.0
76**-251	250:5	± 1 %	5.0
76**-301	300:5	± 1 %	6.0
76**-401	400:5	± 1 %	10.0
76**-501	500:5	± 1 %	10.0
76**-601	600:5	± 1 %	10.0
76**-751	750:5	± 1 %	10.0
76**-801	800:5	± 1 %	12.5
76**-102	1000:5	± 1 %	12.5
76**-122	1200:5	± 1 %	12.5
76**-152	1500:5	± 1 %	12.5
76**-162	1600:5	± 1 %	12.5
76**-202	2000:5	± 1 %	15.0

** NOTE: When ordering, prefix Cat No. with model designation required, i.e. 76RL-101