

CONTROL POWER TRANSFORMER

Model: CPT3 60 2 xxxx - 5

APPLICATION:

To provide power in Motor Control centers and Distribution Switchgear

FREQUENCY: 50/60 Hz

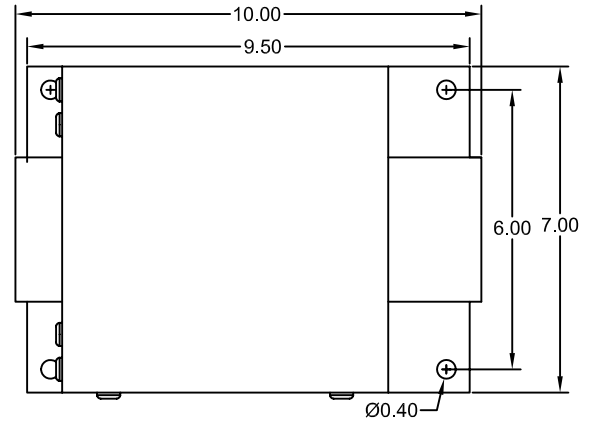
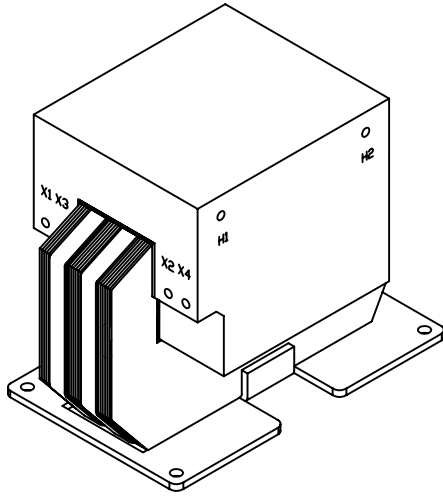
INSULATION LEVEL:

6.9 kV, 60 kV BIL full wave

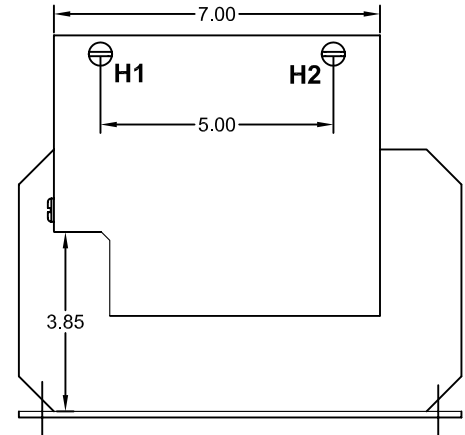
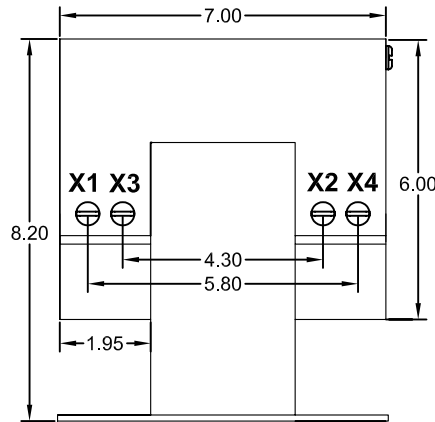
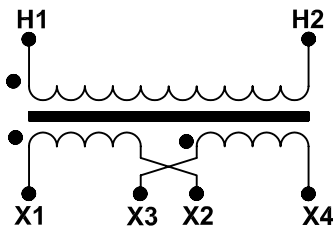
THERMAL RATING:

At 30°C. amb. see below

- Primary and secondary terminal are brass screws No 10-32 with one flatwasher and lockwasher.
- Transformer winding is vacuum encapsulated in polyurethane resin with temperature insulation class of 105 ° C.
- Plated steel mounting base.
- For indoor use.
- Approximate weight 57 lbs.



CONNECTION DIAGRAM



WIRING CONNECTION		
PRIMARY	LINE CONNECTION	
	H1 - H2	
SECONDARY		
	110 V	220 V
INTER CONN.	X1-X3 and X2-X4	X2-X3
LINE CONN.	X1-X4	X1-X4

CATALOG NO	PRIMARY VOLTAGE	RATIO AT 110 V	SECONDARY VOLTAGE	FREQUENCY Hz	THERMAL RATING
CPT3 60 2 2400 - 5	2400	21.81	110/220	50/60	2.0 kVA
CPT3 60 2 3300 - 5	3300	30.00	110/220	50/60	2.0 kVA
CPT3 60 2 4160 - 5	4160	37.81	110/220	50/60	2.0 kVA
CPT3 60 2 4800 - 5	4800	43.63	110/220	50/60	2.0 kVA
CPT3 60 2 5000 - 5	5000	45.45	110/220	50/60	2.0 kVA
CPT3 60 2 5500 - 5	5500	50.00	110/220	50/60	2.0 kVA
CPT3 60 2 6000 - 5	6000	54.54	110/220	50/60	2.0 kVA
CPT3 60 2 6600 - 5	6600	60.00	110/220	50/60	2.0 kVA
CPT3 60 2 6900 - 5	6900	62.72	110/220	50/60	2.0 kVA