

# INDOOR VOLTAGE TRANSFORMER

Model: 3PT3 - 60

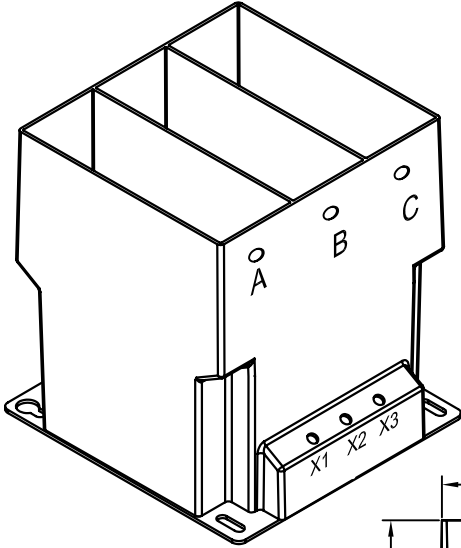
**ACCURACY CLASS:**  
0.3WX, M 1.2 Y at 100% rated

**FREQUENCY:** 50 OR 60 Hz

**INSULATION LEVEL:**  
6.9 kV, 60 kV BIL full wave

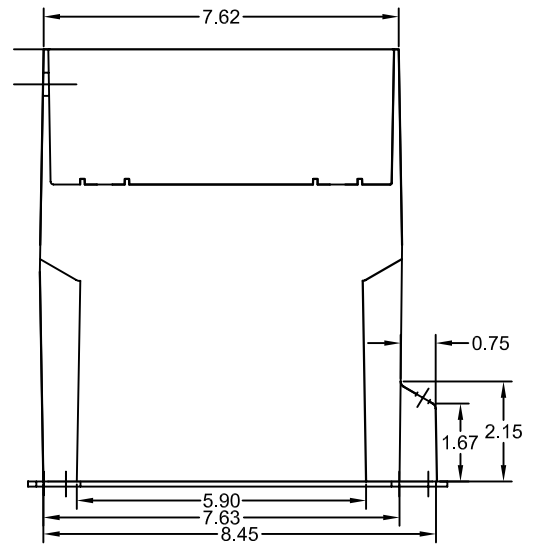
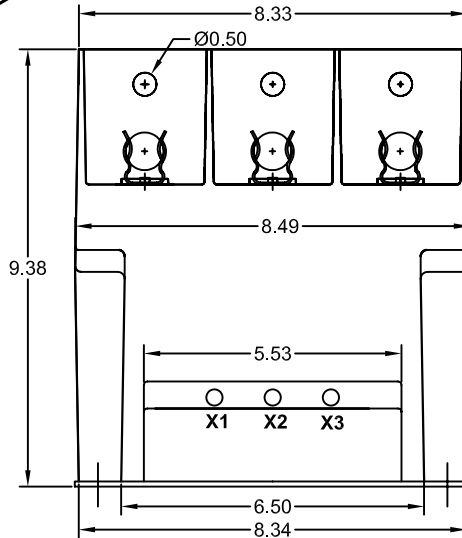
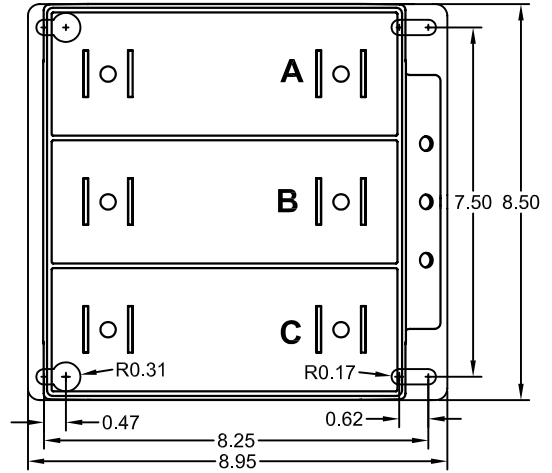
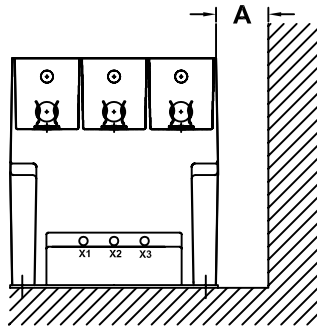
**THERMAL RATING:**  
700 VA total at 30 deg.C  
450 VA total at 55 deg.C

- Primary and secondary terminal are brass screws No 10-32 with one flatwasher and lockwasher.
- Transformer winding is vacuum encapsulated in polyurethane resin with temperature insulation class of 105 ° C.
- Plated steel mounting base.
- For indoor use.
- Approximate weight 45 lbs.

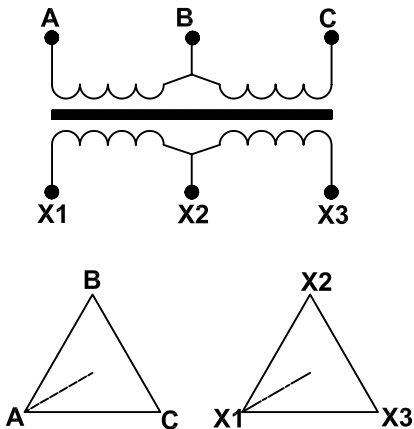


## RECOMMENDED SPACING

A - CASE TO GROUND = 1.5" MIN



## CONNECTION DIAGRAM



CATALOG NO	PRIMARY VOLTAGE	RATIO	SECONDARY VOLTAGE	FREQUENCY Hz	THERMAL RATING
3PT3-60-242-FFF	2400	20.00	120	50 or 60	0.7 kVA
3PT3-60-332-FFF	3300	30.00	110	50 or 60	0.7 kVA
3PT3-60-422-FFF	4200	35.00	120	50 or 60	0.7 kVA
3PT3-60-482FFF	4800	40.00	120	50 or 60	0.7 kVA
3PT3-60-662-FFF	6600	60.00	110	50 or 60	0.7 kVA
3PT3-60 722- FFF	7200	60.00	120	50 or 60	0.7 kVA