

3 PHASE VOLTAGE TRANSFORMER

Model 3VTL460

For line to line connection

Frequency:
60 Hz

Accuracy Class: (Per Phase)
0.6 W, 1.2 X at 60 Hz.

Standard Secondary Voltage:
120 Volts Line-to-Line

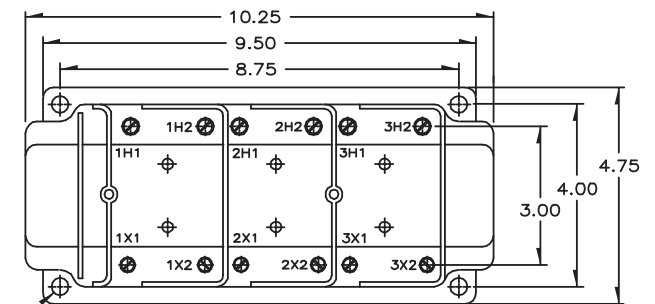
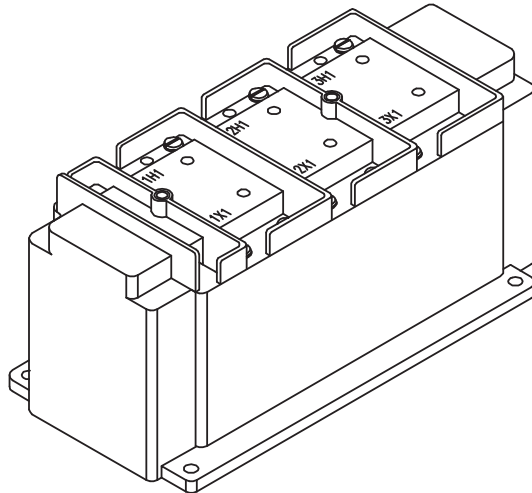
Thermal Rating: (Per Phase)
150 VA at 30°C amb.
100 VA at 55°C amb.

Insulation Level:
600 Volts, 10 kv BIL full wave



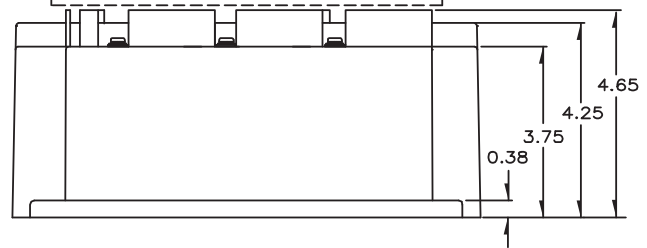
E228202

- The model 3VTL460 is an assembly of three transformers in one case.
- The primary and secondary terminals are No. 8-32 screws into 1/2" deep brass inserts and fitted with one lockwasher and flatwasher.
- The core and coil assembly is encased in a thermoplastic shell and filled with resin.
- These transformers are designed for operation line to line. All terminals are accessible.
- Spacing between live parts per U.L. 1558.
- The transformer has a clear plastic terminal cover.
- See page 3 of this section for a circle diagram for the estimation of the errors for other than rated burdens. See page 8 in this section for a description of its use.
- Approximate weight: 24 lbs.

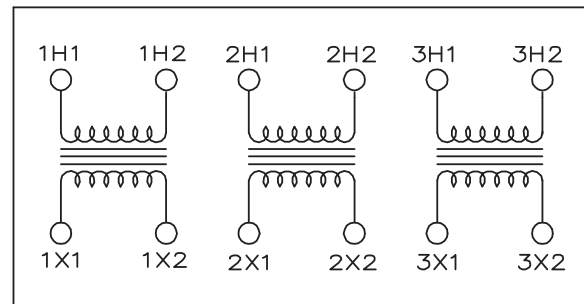


(4) MOUNTING HOLES
0.27 DIA

CLEAR PLASTIC
TERMINAL COVER



CATALOG NUMBERS	LINE TO LINE VOLTAGE RATING	TURNS RATIO	REC. PRIMARY FUSE RATING
3VTL460-120	120:120	1:1	4.0
3VTL460-208	208:120	1.73:1	2.0
3VTL460-240	240:120	2:1	2.0
3VTL460-288	288:120	2.4:1	1.5
3VTL460-480	480:120	4:1	1.0
3VTL460-600	600:120	5:1	0.75



CONNECTION DIAGRAM