

# VOLTAGE TRANSFORMER

Model 467

**Frequency:**  
60 Hz

**Standard Secondary Voltage:**  
120 Volts

**Insulation Level:**  
600 Volts, 10 kv BIL full wave

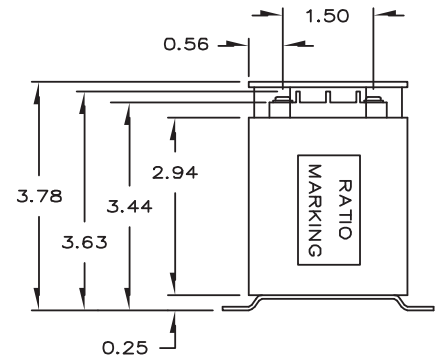
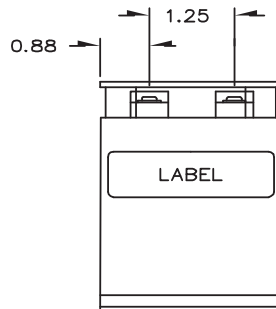
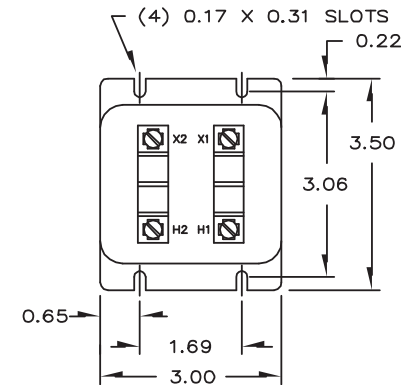
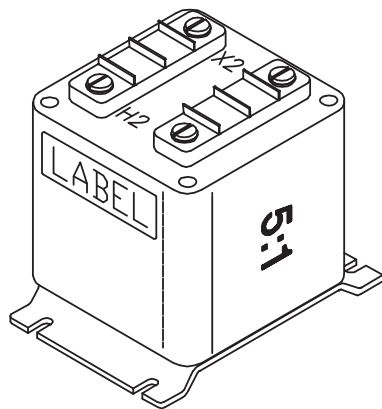
**Accuracy Class:**  
± 1% at all burdens up to 5VA at 1.0 and 0.95 P.F.

**Thermal Rating:**  
40 VA at 30°C amb.  
27 VA at 55°C amb.



E228202

- The core and coil assembly is encased in a thermoplastic shell and filled with resin.
- These transformers are designed for operation line-to-line. They may also be operated line-to-ground or line-to-neutral at reduced voltage, (58% of rated volts).
- Terminals are No. 6-32 screws with one lockwasher and one flatwasher.
- It is desirable to use a 0.40 amp fuse in the secondary to protect the transformer.
- With two exceptions these transformers are ANSI C57.13 group 1. Those marked \* are group 2.
- Models designed specifically for 50Hz operation are available with reduced performance consult factory for details.
- Each transformer has a clear plastic terminal cover.
- Approximate weight: 2.5 lbs.



CATALOG NUMBER	VOLTAGE RATING	TURNS RATIO	REC. PRIMARY FUSE RATING
467-069	69.3:120	0.58:1	1.5
467-120	120:120	1:1	1.0
467-208	208:120	1.73:1	0.5
467-240	240:120	2:1	0.5
467-277	277:120	2.31:1	0.5
467-288	288:120	2.4:1	0.4
467-300	300:120	2.5:1	0.4
467-346	346:120	2.88:1	0.4
*467-480	*480:120	4:1	0.25
*467-600	*600:120	5:1	0.25