



# Current Transformer

**Model 110**  
rev 011218

## CERTIFICATIONS:



Model	110
Window Size	4.00
Width	7.00
Height	7.00
Depth	2.88

**APPLICATION:**

Relaying and Metering

**FREQUENCY:**

50-400 Hz.

**INSULATION LEVEL:**

600 Volts. 10 kV BIL. full

**WINDOW DIAMETER:**

4.0"

**APPROXIMATE WEIGHT:**

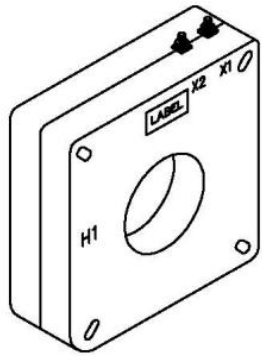
10 lbs.

**CONNECTIONS:**

- Terminals are brass studs No. 8-32 UNC with one flat washer, lockwasher and regular nut
- Mounting Bracket's 59-0215 (CR) and 59-0216 (CL)

**MODEL 110**  
**Window Diameter 4.0"**  
Approximate weight: 13 lbs.

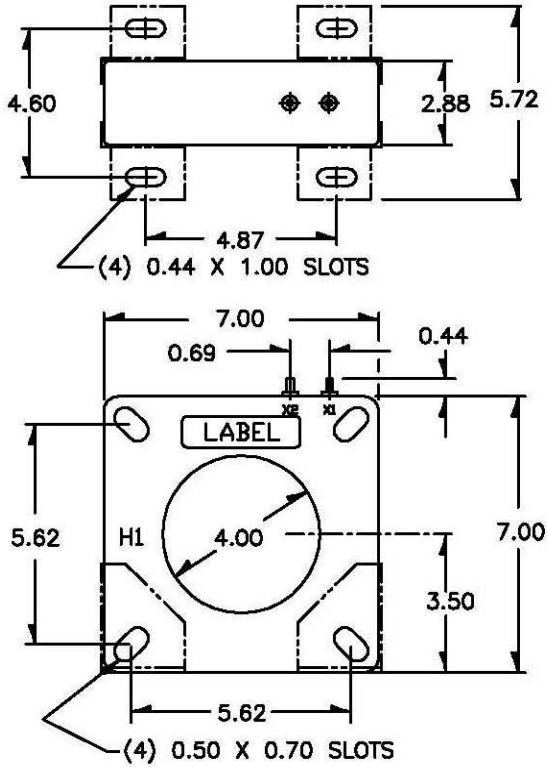
CATALOG NUMBER	CURRENT RATIO	RELAY CLASS	ANSI METERING CLASS AT 60 HZ					SECONDARY WINDING RESISTANCE (OHMS @ 75° C)	CONTINUOUS THERMAL RATING FACTOR	
			B0.1	B0.2	B0.5	B0.9	B1.8		@ 30°C	@ 55°C
110 - 201	200:5	C10	0.6	1.2	1.2	2.4	-	0.085	2	2
110 - 301	300:5	C20	0.3	0.6	0.6	1.2	2.4	0.128	2	2
110 - 401	400:5	C20	0.3	0.3	0.3	0.6	1.2	0.152	2	2
110 - 501	500:5	C20	0.3	0.3	0.3	0.6	0.6	0.214	2	1.5
110 - 601	600:5	C50	0.3	0.3	0.3	0.3	0.6	0.256	2	1.5
110 - 801	800:5	C50	0.3	0.3	0.3	0.3	0.3	0.342	1.5	1.33
110 - 102	1000:5	C100	0.3	0.3	0.3	0.3	0.3	0.427	1.5	1
110 - 122	1200:5	C50	0.3	0.3	0.3	0.3	0.3	0.489	1.5	1
110 - 152	1500:5	C100	0.3	0.3	0.3	0.3	0.3	0.611	1.33	1
110 - 162	1600:5	C100	0.3	0.3	0.3	0.3	0.3	0.652	1	1
110 - 202	2000:5	C100	0.3	0.3	0.3	0.3	0.3	0.815	1	0.8
110 - 252	2500:5	C100	0.3	0.3	0.3	0.3	0.3	0.974	1	0.8
110 - 302	3000:5	C100	0.3	0.3	0.3	0.3	0.3	1.168	1	0.6



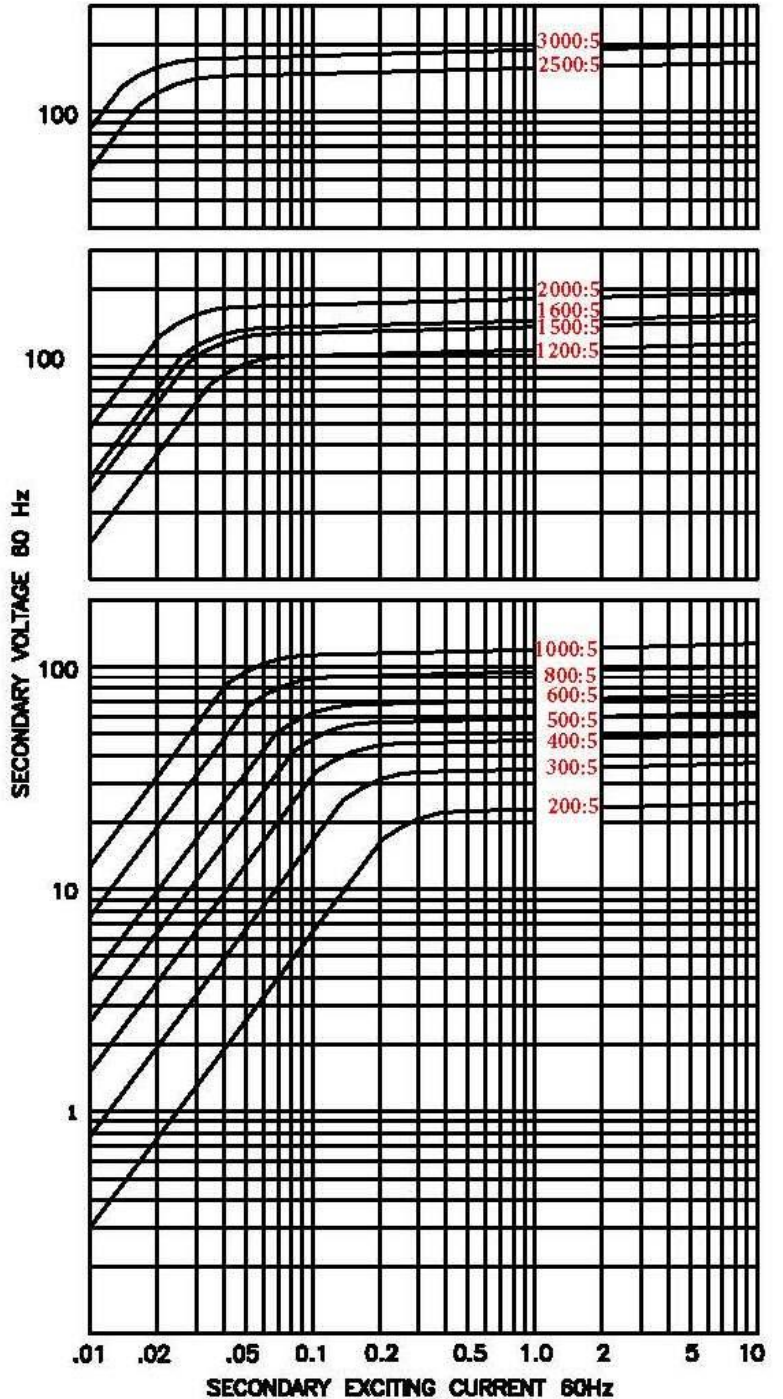
Products are manufactured in a plant whose quality management system is certified / registered as being in conformity with ISO 9001



Model 110



EXCITATION CURVE



Model 110