



Current Transformer

Model 120
rev 011218

CERTIFICATIONS:



APPLICATION:

Relaying and Metering

FREQUENCY:

50-400 Hz.

INSULATION LEVEL:

600 Volts. 10 kV BIL. full wave

WINDOW DIAMETER:

5.75"

APPROXIMATE WEIGHT:

8.5 lbs.

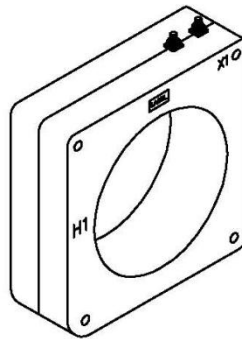
CONNECTIONS:

- Multi-ratios available upon request
- Terminals are brass studs No. 8-32 UNC with one flat washer, lockwasher, and regular nut
- Mounting kits 59-0215 (CR) and 59-0216 (CL)

Model	120
Window Size	5.75
Width	8.50
Height	8.50
Depth	2.17

MODEL 120
Window Diameter 5.75"
Approximate weight: 11 lbs.

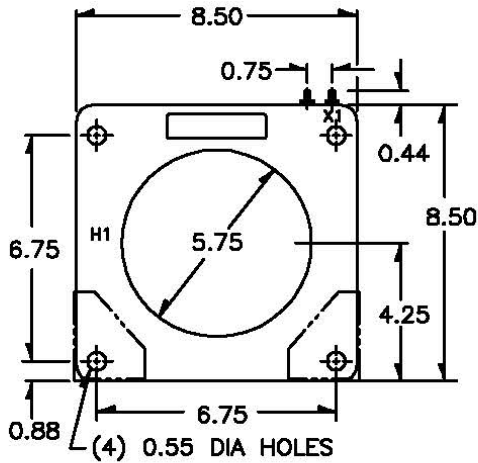
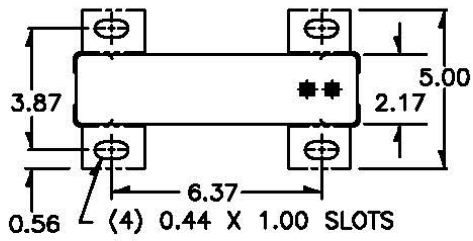
CATALOG NUMBER	CURRENT RATIO	RELAY CLASS	ANSI METERING CLASS AT 60 HZ					SECONDARY WINDING RESISTANCE (OHMS @ 75°C)	CONTINUOUS THERMAL RATING FACTOR	
			B0.1	B0.2	B0.5	B0.9	B1.8		@ 30°C	@ 55°C
120 - 201	200:5	-	1.2	1.2	2.4	4.8	4.8	0.053	2	2
120 - 301	300:5	C10	0.3	0.6	1.2	2.4	2.4	0.063	2	2
120 - 401	400:5	C10	0.3	0.3	0.6	1.2	2.4	0.080	2	2
120 - 501	500:5	C20	0.3	0.3	0.6	0.6	1.2	0.137	2	2
120 - 601	600:5	C20	0.3	0.3	0.3	0.6	0.6	0.165	2	2
120 - 801	800:5	C20	0.3	0.3	0.3	0.3	0.6	0.220	2	1.5
120 - 102	1000:5	C20	0.3	0.3	0.3	0.3	0.6	0.309	1.5	1.5
120 - 122	1200:5	C50	0.3	0.3	0.3	0.3	0.3	0.371	1.5	1.33
120 - 152	1500:5	C50	0.3	0.3	0.3	0.3	0.3	0.464	1.5	1
120 - 162	1600:5	C50	0.3	0.3	0.3	0.3	0.3	0.494	1.33	1
120 - 202	2000:5	C50	0.3	0.3	0.3	0.3	0.3	0.592	1.33	1
120 - 252	2500:5	C50	0.3	0.3	0.3	0.3	0.3	0.740	1	0.8
120 - 302	3000:5	C50	0.3	0.3	0.3	0.3	0.3	0.888	1	0.8
120 - 352	3500:5	C20	0.3	0.3	0.3	0.3	0.3	0.964	1	0.8
120 - 402	4000:5	C50	0.3	0.3	0.3	0.3	0.3	1.102	1	0.8



Products are manufactured in a plant whose quality management system is certified / registered as being in conformity with ISO 9001



Model 120



EXCITATION CURVE

