



Current Transformer

Model 13
rev 03182021

CERTIFICATIONS:



Model	13
Window Size	0.56
Width	1.34
Height	1.80
Depth	0.52

APPLICATION:

For current to voltage conversion by use of a load resistor

FREQUENCY:

50-400 Hz.

INSULATION LEVEL:

600 Volts. 10 kV BIL. full wave

WINDOW DIAMETER:

0.56"

APPROXIMATE WEIGHT:

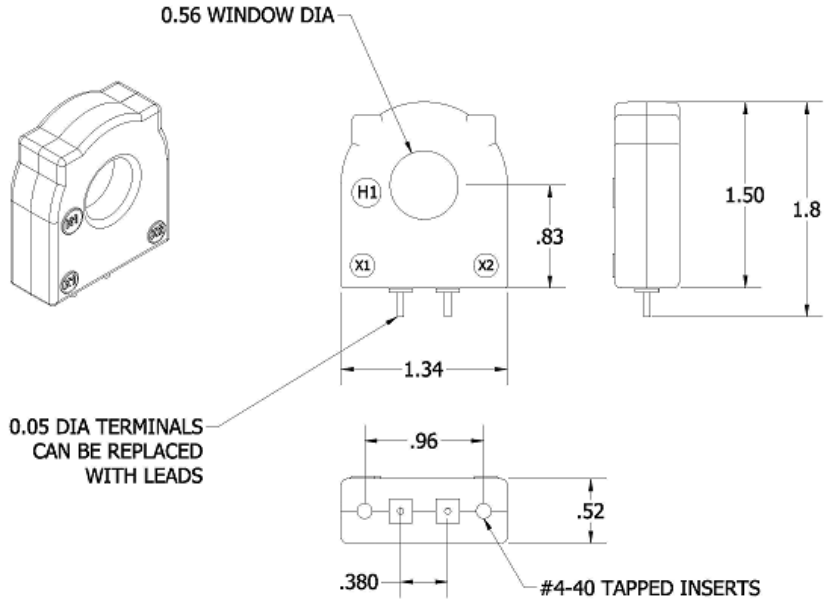
0.1 – 0.2 lbs.

CONTINUOUS THERMAL CURRENT RATING FACTOR:

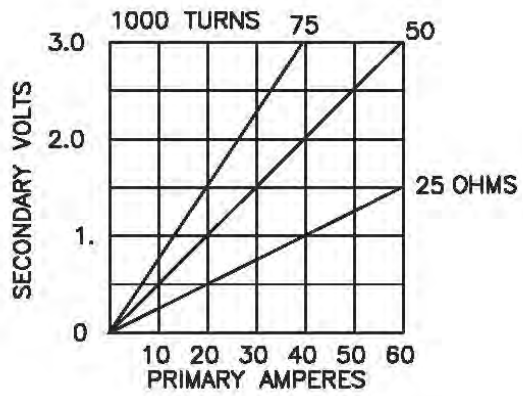
200A at 30°c amb., 120A at 55°c amb.

CONNECTIONS:

This lightweight, miniature current transformer is suitable for direct mounting on printed circuit boards. Model 13 is provided with standard hexagon nuts to secure the transformer to the board, so that the assembly can withstand vibration and shock while maintaining electrical integrity. The graph below illustrates the voltage capacity and over the ranges shown, will maintain a +/-3% linearity.



TYPICAL PERFORMANCE CHARACTERISTICS



Products are manufactured in a plant whose quality management system has been certified to be in compliance with ISO 9001:2015 by NQA