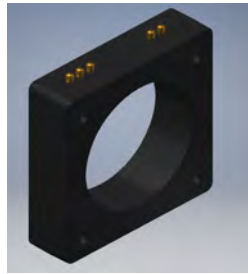




Current Transformer

Model 144MR
rev 03182021

CERTIFICATIONS:



APPLICATION:

Relaying and metering

FREQUENCY:

50-400 Hz.

INSULATION LEVEL:

600 Volts. 10 kV BIL. full wave

WINDOW DIAMETER:

6.00"

APPROXIMATE WEIGHT:

40 lbs.

CONNECTIONS:

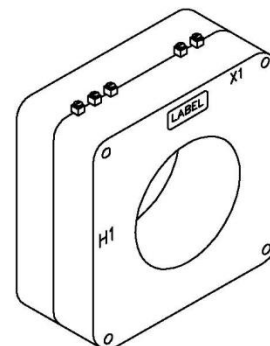
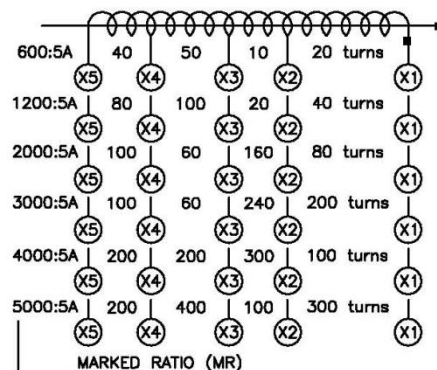
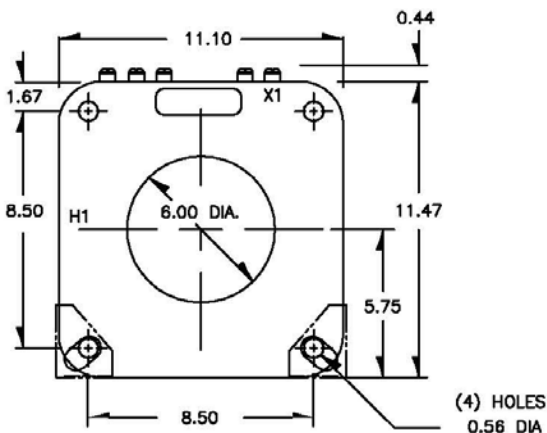
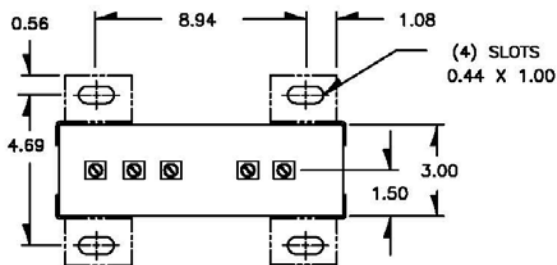
-Terminals are brass screws No. 10-32 UNF with one flat washer and a split lock washer

-Mounting kit – 59-0215 (CR) and 59-0216 (CL)

Model	144MR
Window Size	6.00
Width	11.10
Height	11.47
Depth	3.00

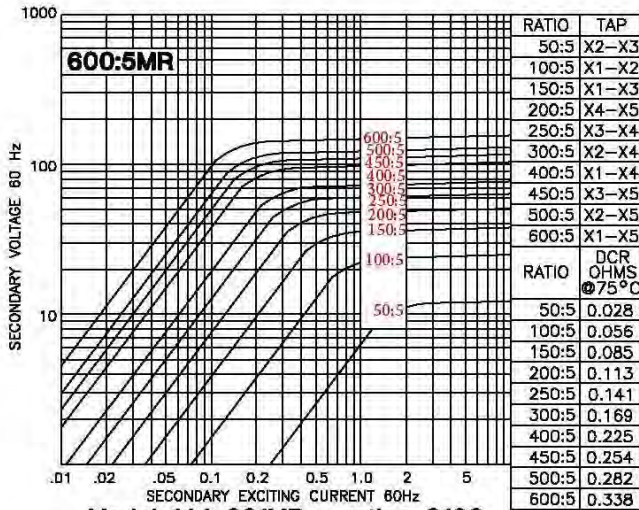
MODEL 144MR
Window Diameter 6.00"
Approximate weight: 40 lbs.

Catalog Number	Relay Class	Continuous Thermal	
		@ 30°C	@ 50°C
144-601MR	C100	2.0	1.5
144-122MR	C200	2.0	1.5
144-202MR	C200	1.5	1.0
144-302MR	C400	1.0	0.8
144-402MR	C400	1.0	0.8
144-502MR	C400	1.0	0.6



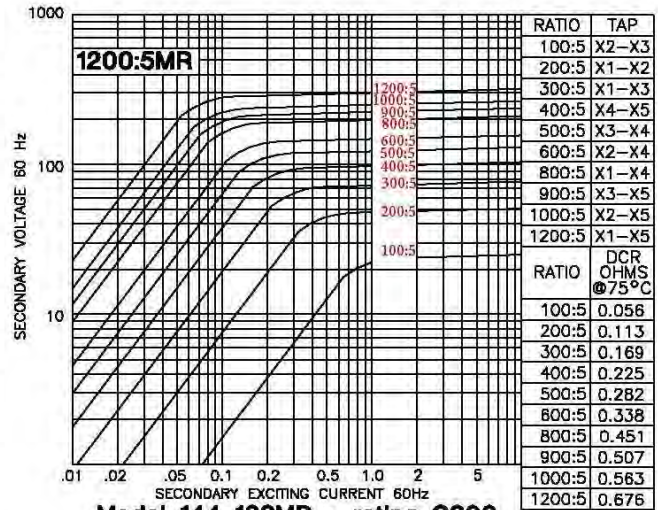
Products are manufactured in a plant whose quality management system has been certified to be in compliance with ISO 9001:2015 by NQA

EXCITATION CURVE



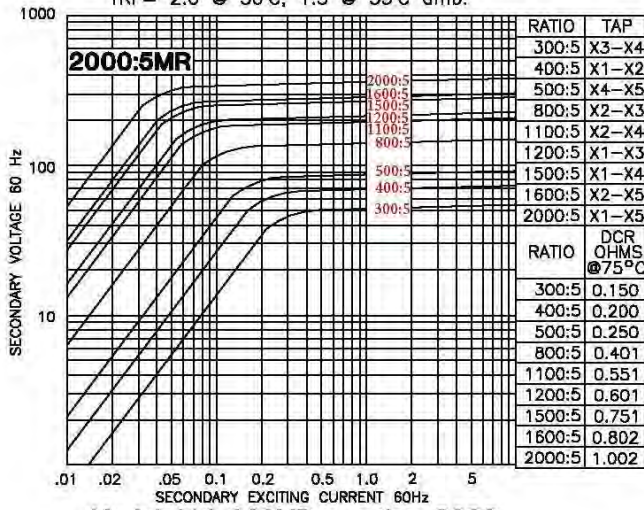
Model 144-601MR - rating C100

TRF= 2.0 @ 30°C, 1.5 @ 55°C amb.



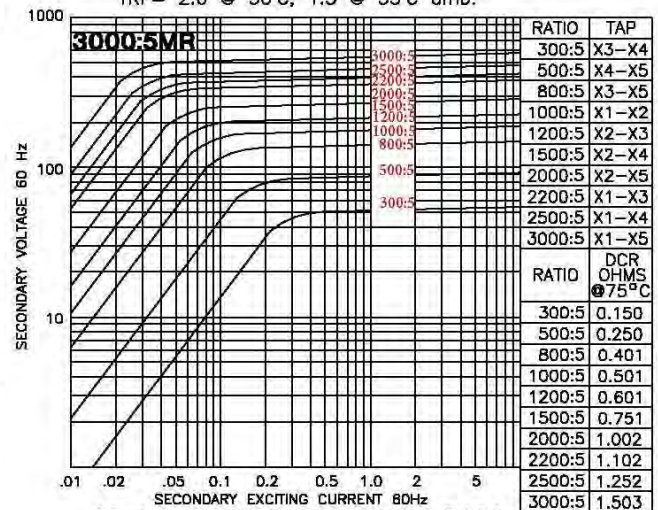
Model 144-122MR - rating C200

TRF= 2.0 @ 30°C, 1.5 @ 55°C amb.



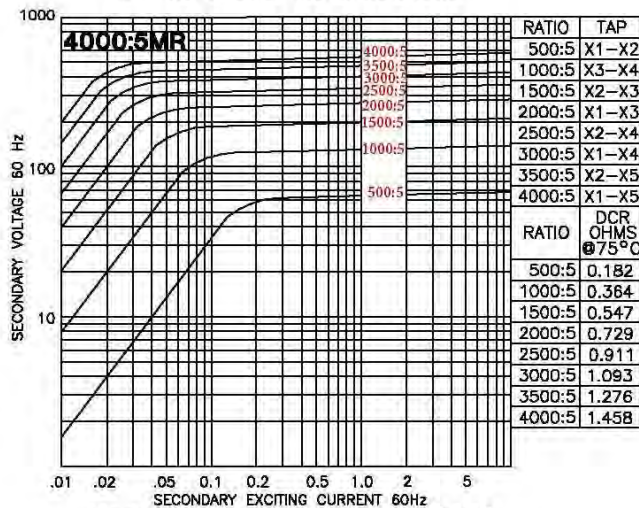
Model 144-202MR - rating C200

TRF= 1.5 @ 30°C, 1.0 @ 55°C amb.



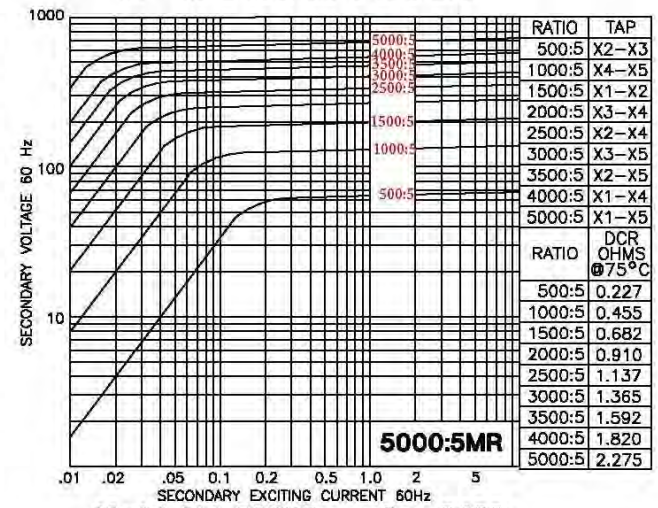
Model 144-302MR - rating C400

TRF= 1.0 @ 30°C, 0.8 @ 55°C amb.



Model 144-402MR - rating C400

TRF= 1.0 @ 30°C, 0.8 @ 55°C amb.



Model 144-502MR - rating C400

TRF= 1.0 @ 30°C, 0.6 @ 55°C amb.