



# Voltage Transformer

**Model 460I**  
rev 03182021

## CERTIFICATIONS:



Model	460I
Width	4.50
Height	3.50
Depth	4.63

**FREQUENCY:**

50 Hz.

**STANDARD SECONDARY VOLTAGE:**

110 Volts

**INSULATION LEVEL:**

720 Volts.

**ACCURACY CLASS:**

0.5 @ 10VA, 1.0 @ 20VA

**THERMAL RATING:**

125VA AT 30°C. amb., 75VA AT 55°C. amb.

**APPROXIMATE WEIGHT:**

3.5 kg

**CONNECTIONS:**

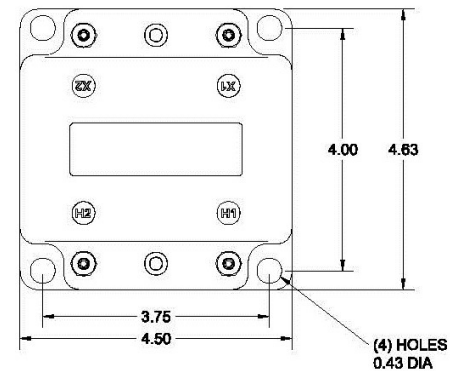
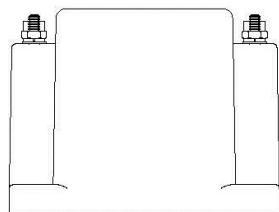
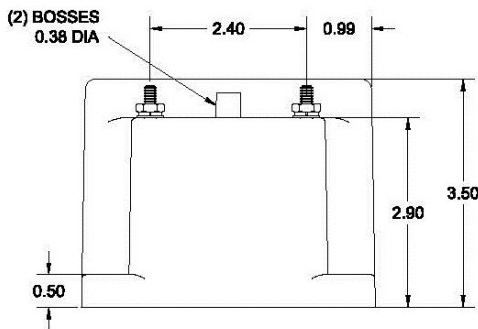
-Terminals are brass studs ASA 10-32 with one lockwasher, flat washer, and regular nut

**MODEL 460I**

Approximate weight: 3.5 kg

CATALOG NUMBER	VOLTAGE RATING	TURNS RATIO	REC. PRIMARY FUSE RATING
NOT FUSED			
460I-110	110:110	1:1	3
460I-220	220:110	2:1	2
460I-380	380:110	3.45:1	1
460I-400	400:110	3.64:1	1
460I-416	416:110	3.78:1	1
460I-440	440:110	4:1	1

- Each transformer has two plastic terminal covers.
- The core and coil assembly is encased in a thermoplastic shell and filled with resin.
- These transformers are designed for operation line to line. They may also be operated line to ground or line to neutral at reduced voltage (58% of rated volts).
- It is desirable to use a 1.75 amp fuse in the secondary to protect the transformer.



Products are manufactured in a plant whose quality management system is certified / registered as being in conformity with ISO 9001