



Current Transformer

Model 5
rev 07062022

APPLICATION:

With ammeters, wattmeters and cross current compensation

FREQUENCY:

50-400 Hz.

INSULATION LEVEL:

600 Volts. 10 kV BIL. full wave

WINDOW DIAMETER:

1.56"

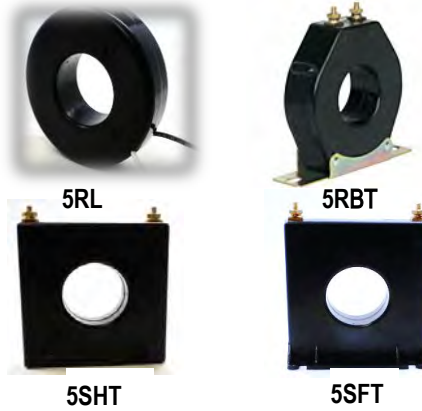
APPROXIMATE WEIGHT:

1.0 lbs.

CONNECTIONS:

- Flexible Leads are UL 1015 105°C, CSA approved #16AWG, 24" long
- Non-standard length to be specified
- Terminals are brass studs No. 8-32 UNC with one flat washer, lock washer, and regular nut
- SHT and SFT case style also available as SHL and SFL with leads
- Mounting bracket Part # 59-0218

CERTIFICATIONS:



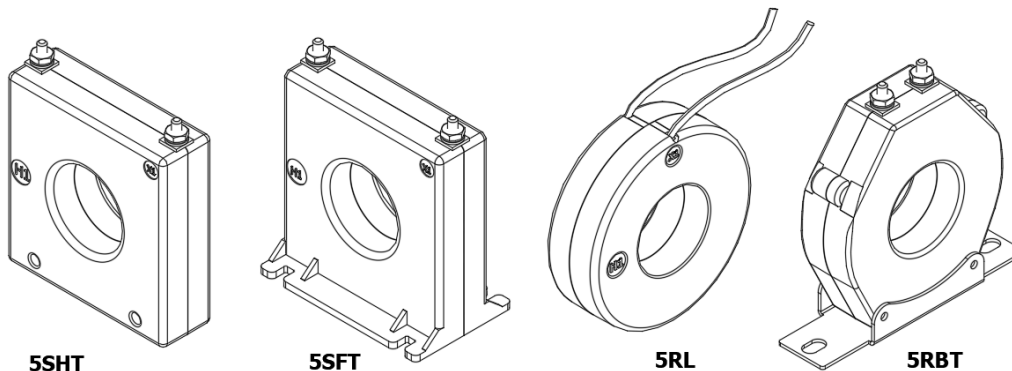
Model	5SHT	5SFT	5RL	5RBT
Window Size	1.56	1.56	1.56	1.56
Width	3.53	3.53	3.56	3.50
Height	3.65	3.78	4.37	3.56
Depth	1.09	1.09	1.10	1.25

MODEL 5

Window Diameter 1.56"
Approximate weight: 1.0 lbs.

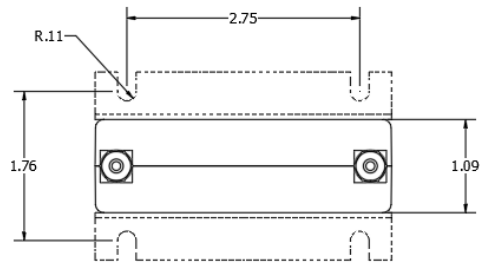
CATALOG NUMBER	CURRENT RATIO	ACCURACY AT 60 HZ	BURDEN VA AT 60 HZ
5**-500	50:5	± 2%	1
5**-750	75:5	± 2%	1.5
5**-101	100:5	± 2%	2
5**-151	150:5	± 1%	5
5**-201	200:5	+ 1%	5
5**-251	250:5	+ 1%	10
5**-301	300:5	+ 1%	12.5
5**-401	400:5	+ 1%	12.5
5**-501	500:5	+ 1%	20
5**-601	600:5	+ 1%	25
5**-751	750:5	+ 1%	25
5**-801	800:5	+ 1%	25
5**-102	1000:5	+ 1%	25
5**-122	1200:5	+ 1%	30

NOTE: WHEN ORDERING, PREFIX CAT NO. WITH MODEL DESIGNATION REQUIRED, I.E. 5SFT-500, 5RL-500, ETC.

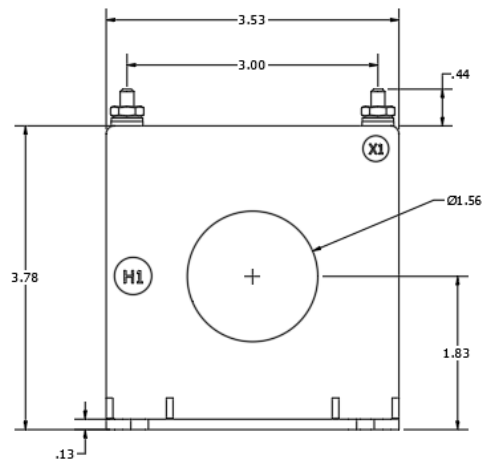
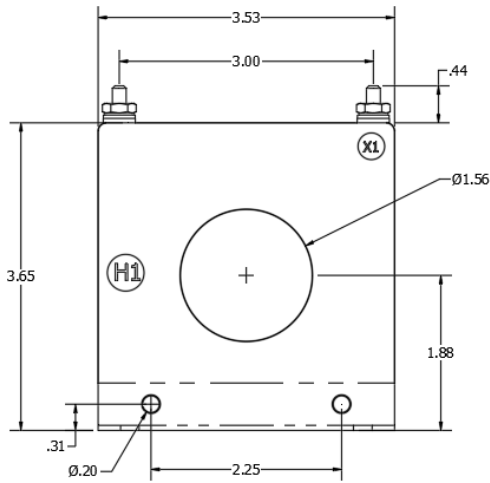
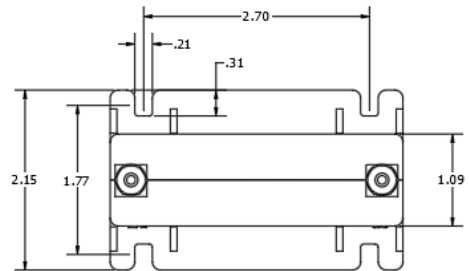




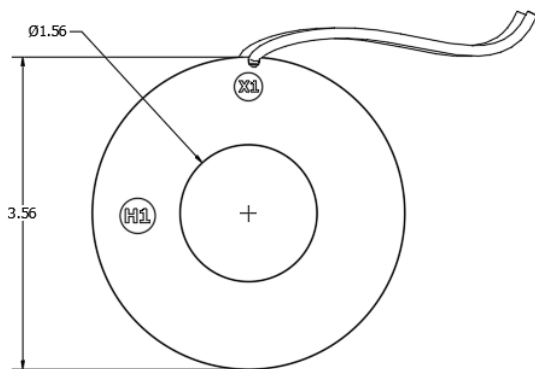
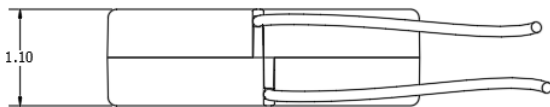
5SHT



5SFT



5RL



5RBT

