

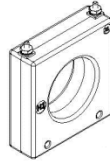
Current Transformer

Model 56

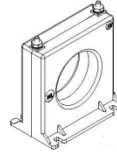
CERTIFICATIONS:



56RL



56SHT



56SFT

APPLICATION:

With ammeters, wattmeters and cross current compensation

FREQUENCY:

50-400 Hz.

INSULATION LEVEL:

600 Volts. 10 kV BIL. full wave

WINDOW DIAMETER:

2.06"

APPROXIMATE WEIGHT:

0.6 lbs.

CONNECTIONS:

-Flexible Leads are UL 1015 105°C, CSA approved

#16AWG, 24" long

-Non-standard length to be specified

-Terminals are brass studs No. 8-32 UNC with one flat washer, lock washer, and regular nut

-RBT and RT case styles also available and SHT and SFT as SHL and SFL with leads

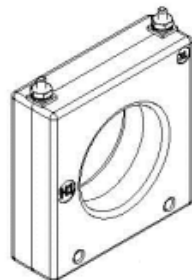
Model	56SHT	56SFT	56RL
Window Size	2.06	2.06	2.06
Width	3.50	3.50	3.50
Height	3.63	3.63	3.50
Depth	1.10	1.10	1.09

MODEL 56

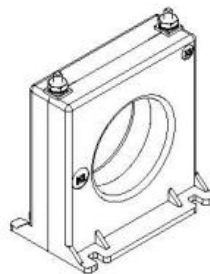
Window Diameter 2.06"
Approximate weight: 0.6 lbs.

CATALOG NUMBER	CURRENT RATIO	ACCURACY AT 60 HZ	BURDEN VA AT 60 HZ
56**-500	50:5	± 3%	0.5
56**-750	75:5	± 1%	0.5
56**-101	100:5	± 1%	1
56**-151	150:5	± 1%	2.5
56**-201	200:5	± 1%	4
56**-251	250:5	± 1%	6
56**-301	300:5	± 1%	7.5
56**-401	400:5	± 1%	10
56**-501	500:5	± 1%	12.5
56**-601	600:5	± 1%	15
56**-751	750:5	± 1%	7
56**-801	800:5	± 1%	8
56**-102	1000:5	± 1%	10
56**-122	1200:5	± 1%	12.5

NOTE: WHEN ORDERING, PREFIX CAT NO. WITH MODEL DESIGNATION REQUIRED, I.E. 56SFT-500, 56RL-500, ETC.



56SHT



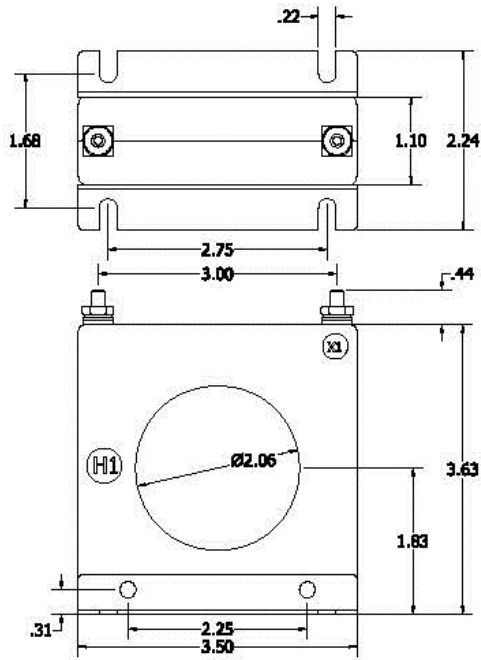
56SFT



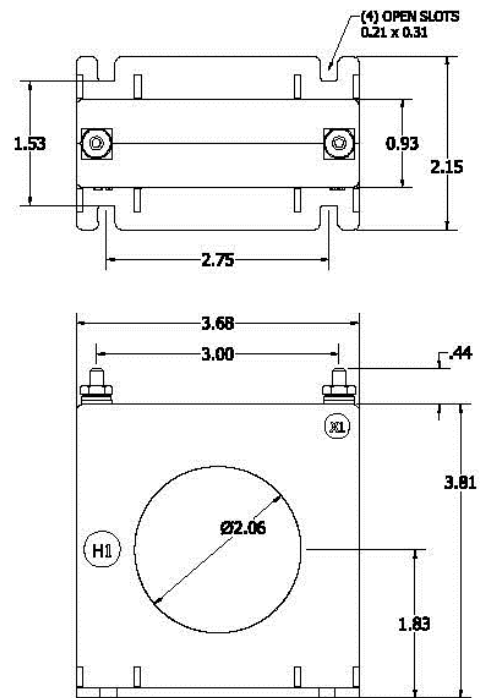
56RL



56SHT



56SFT



56RL

