



# Current Transformer

**Model 561**  
rev 11152021

**APPLICATION:**

Relaying and Metering

**FREQUENCY:**

50-400 Hz.

**INSULATION LEVEL:**

600 Volts. 10 kV BIL. full wave

**CONTINUOUS THERMAL RATING FACTOR:**

1.33 at 30°C amb., 1.0 at 55°C amb.

**INSULATION SYSTEM:**

Temperature Class H (150°C.)

**WINDOW DIAMETER:**

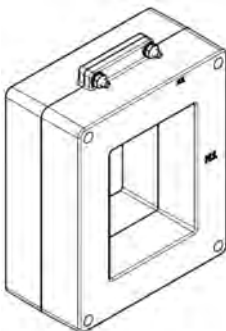
3.25" x 4.25"

**APPROXIMATE WEIGHT:**

8 lbs.

**CONNECTIONS:**

Secondary terminals are No. 10-32 brass studs with one flat



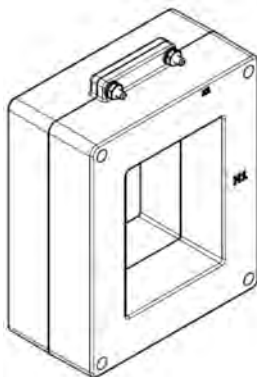
<b>Model</b>	<b>561</b>
<b>Window Size</b>	<b>3.25 x 4.25</b>
<b>Width</b>	<b>5.75</b>
<b>Height</b>	<b>6.88</b>
<b>Depth</b>	<b>2.88</b>

**CERTIFICATIONS:**



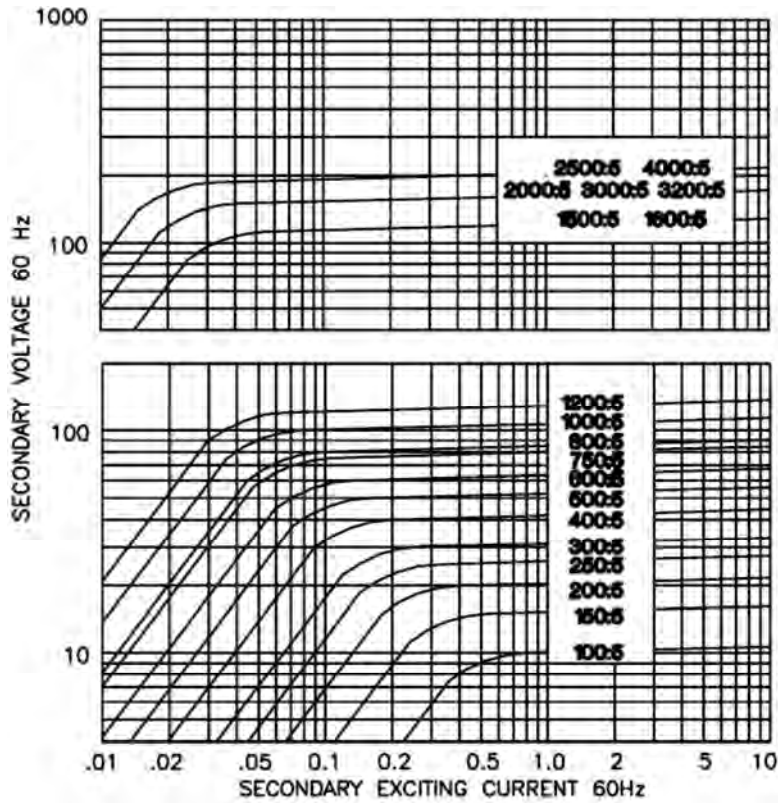
**MODEL 561**  
**Window Diameter 3.25" x 4.25"**  
**Approximate weight: 8 lbs.**

CATALOG NUMBER	CURRENT RATIO	RELAY CLASS	ANSI METERING CLASS AT 60 HZ					SECONDARY WINDING RESISTANCE (OHMS @ 75°C)
			B0.1	B0.2	B0.5	BO.9	B1.8	
561-101	100:5	-	2.4	-	-	-	-	0.021
561-151	150:5	C10	1.2	2.4	-	-	-	0.032
561-201	200:5	C10	0.6	1.2	2.4	2.4	-	0.043
561-251	250:5	C20	0.6	0.6	1.2	2.4	-	0.054
561-301	300:5	C20	0.3	0.6	1.2	1.2	2.4	0.064
561-401	400:5	C20	0.6	0.3	0.6	1.2	1.2	0.086
561-501	500:5	C20	0.3	0.3	0.3	0.6	0.6	0.170
561-601	600:5	C20	0.3	0.3	0.3	0.3	0.6	0.161
561-751	750:5	C50	0.3	0.3	0.3	0.3	0.6	0.202
561-801	800:5	C50	0.3	0.3	0.3	0.3	0.6	0.340
561-102	1000:5	C50	0.3	0.3	0.3	0.3	0.3	0.425
561-122	1200:5	C100	0.3	0.3	0.3	0.3	0.3	0.510
561-152	1500:5	C50	0.3	0.3	0.3	0.3	0.3	0.766
561-162	1600:5	C50	0.3	0.3	0.3	0.3	0.3	1.817
561-202	2000:5	C100	0.3	0.3	0.3	0.3	0.3	1.021
561-252	2500:5	C100	0.3	0.3	0.3	0.3	0.3	1.276
561-302	3000:5	C50	0.3	0.3	0.3	0.3	0.3	1.396
561-322	3200:5	C50	0.3	0.3	0.3	0.3	0.3	1.489
561-402	4000:5	C100	0.3	0.3	0.3	0.3	0.3	1.861

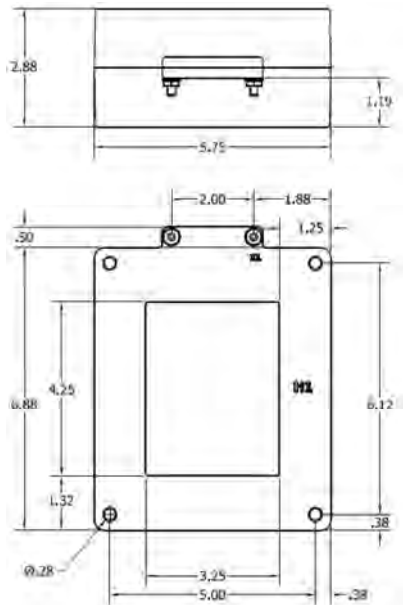


Products are manufactured in a plant whose quality management system has been certified to be in compliance with ISO 9001:2015 by NQA

## EXCITATION CURVE



## DIMENSIONS



Products are manufactured in a plant whose quality management system has been certified to be in compliance with ISO 9001:2015 by NQA