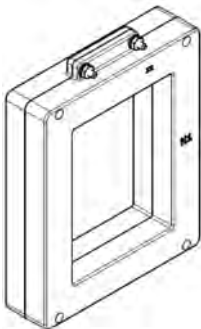




Current Transformer

Model 562
rev 11152021

CERTIFICATIONS:



Model	562
Window Size	4.00 x 5.38
Width	6.30
Height	7.63
Depth	1.63

APPLICATION:

Metering

FREQUENCY:

50-400 Hz.

INSULATION LEVEL:

600 Volts, 10 kV BIL, full wave

CONTINUOUS THERMAL RATING FACTOR:

1.33 at 30°C amb., 1.0 at 55°C amb.

INSULATION SYSTEM:

Temperature Class H (150°C.)

WINDOW DIAMETER:

4.00" x 5.38"

APPROXIMATE WEIGHT:

8 lbs.

CONNECTIONS:

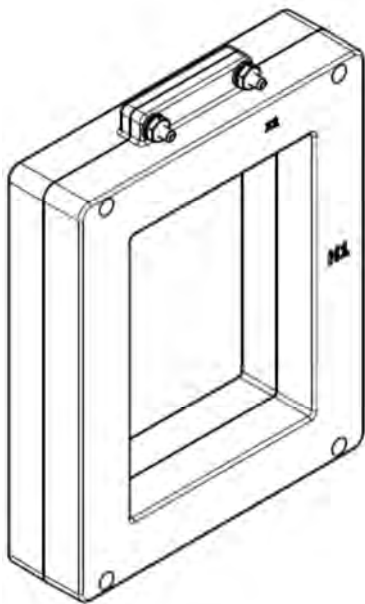
Secondary terminals are No. 10-32 brass studs with one flat

MODEL 562

Window Diameter 4.00" x 5.38"

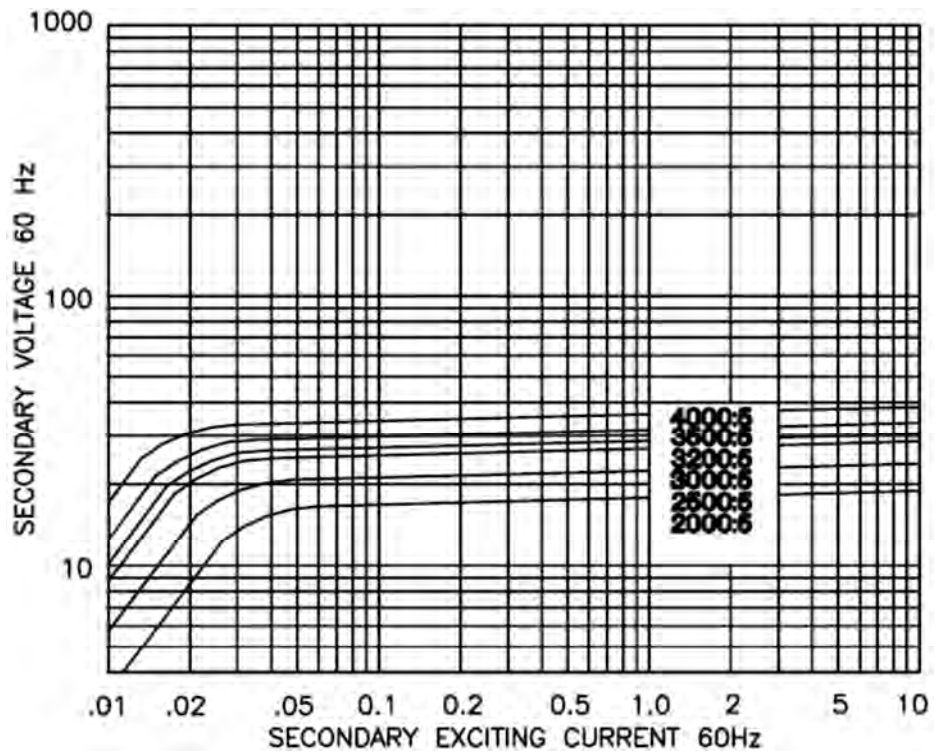
Approximate weight: 8 lbs.

CATALOG NUMBER	CURRENT RATIO	ANSI METERING CLASS AT 60 HZ					SECONDARY WINDING RESISTANCE (OHMS @ 75°C)
		B0.1	B0.2	B0.5	B0.9	B1.8	
562-202	2000:5	0.3	0.3	0.3	0.6	0.6	0.345
562-252	2500:5	0.3	0.3	0.3	0.3	0.6	0.431
562-302	3000:5	0.3	0.3	0.3	0.3	0.6	0.517
562-322	3200:5	0.3	0.3	0.3	0.3	0.6	0.552
562-352	3500:5	0.3	0.3	0.3	0.3	0.3	0.604
562-402	4000:5	0.6	0.3	0.3	0.3	0.3	0.600



Products are manufactured in a plant whose quality management system has been certified to be in compliance with ISO 9001:2015 by NQA

EXCITATION CURVE



DIMENSIONS

