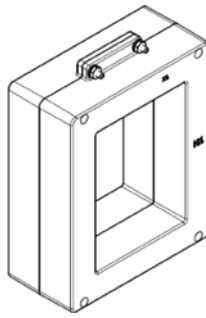


Current Transformer

Model 563
rev 072618

CERTIFICATIONS:



APPLICATION:

Relaying and Metering

FREQUENCY:

50-400 Hz.

INSULATION LEVEL:

600 Volts. 10 kV BIL. full wave

INSULATION SYSTEM:

Temperature Class H (150°C.)

WINDOW DIAMETER:

4.00" x 5.38"

APPROXIMATE WEIGHT:

12 lbs.

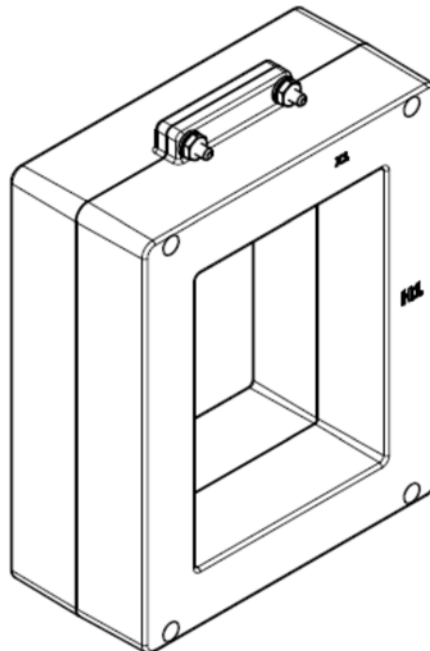
CONNECTIONS:

Secondary terminals are No. 10-32 brass studs with one flat

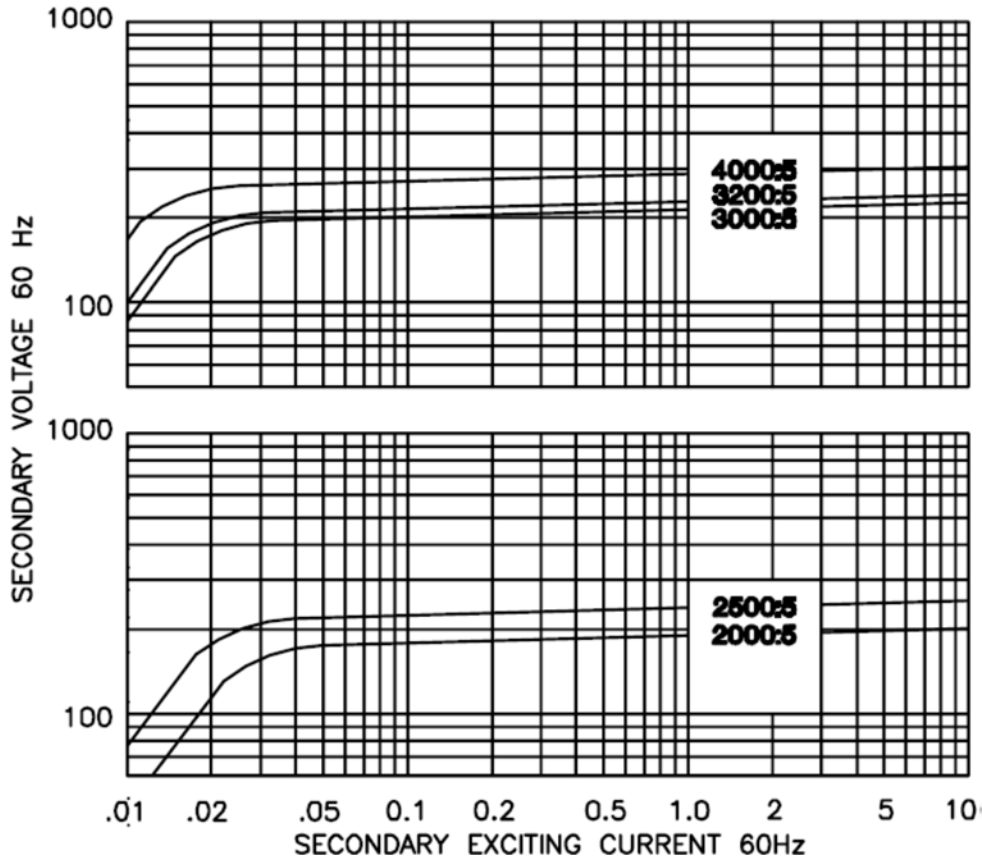
Model	563
Window Size	4.00 x 5.38
Width	6.30
Height	7.63
Depth	2.88

MODEL 563
Window Diameter 4.00" x 5.38"
Approximate weight: 12 lbs.

CATALOG NUMBER	CURRENT RATIO	RELAY CLASS	ANSI METERING CLASS AT 60 HZ					SECONDARY WINDING RESISTANCE (OHMS @ 75°C)	THERMAL RATING
			B.1	B.2	B0.5	B0.9	B1.8		
563-202	2000:5	C50	0.3	0.3	0.3	0.3	0.3	0.995	1.3
563-252	2500:5	C50	0.3	0.3	0.3	0.3	0.3	1.244	1.3
563-302	3000:5	C20	0.3	0.3	0.3	0.3	0.3	1.382	1.3
563-322	3200:5	C20	0.3	0.3	0.3	0.3	0.3	1.474	1.3
563-402	4000:5	C20	0.3	0.3	0.3	0.3	0.3	1.842	1.3
563-502	5000:5	C20	0.3	0.3	0.3	0.3	0.3	2.158	1.0



EXCITATION CURVE



DIMENSIONS

