



## Current Transformer

## Model 76

**APPLICATION:**

With ammeters, wattmeters and cross current compensation.

**FREQUENCY:**

50-400 Hz.

**INSULATION LEVEL:**

600 Volts. 10 kV BIL. full wave

**WINDOW DIAMETER:**

3.00"

**APPROXIMATE WEIGHT:**

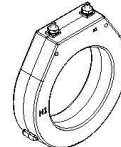
1.5 lbs.

**CONNECTIONS:**

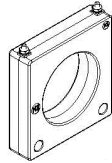
- Flexible leads are UL 1015 105 C, CSA approved #16 AWG, 24" long
- Non-standard length to be specified
- Terminals are brass studs No. 8-32 UNC with one flat washer, lockwasher, and regular nut
- RBT and RT case styles also available and SFT and SHT as SFL and SHL with leads



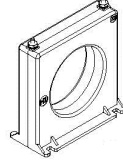
76RL



76RT



76SHT



76SFT

**CERTIFICATIONS:**



E228202



223647



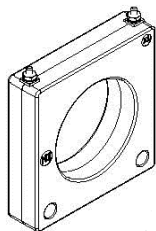
Quality Management

Model	76SHT	76SFT	76RL	76RT
Window Size	3.00	3.00	3.00	3.00
Width	4.54	4.54	4.50	4.50
Height	4.68	4.68	4.50	4.64
Depth	1.12	1.12	1.13	1.10

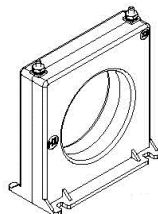
**MODEL 76**  
Window Diameter 3.00"  
Approximate weight: 1.5 lbs.

CATALOG NUMBER	CURRENT RATIO	ACCURACY AT 60 HZ	BURDEN VA AT 60 HZ
76**-201	200:5	+ 1%	5
76**-251	250:5	+ 1%	5
76**-301	300:5	+ 1%	6
76**-401	400:5	+ 1%	10
76**-501	500:5	+ 1%	10
76**-601	600:5	+ 1%	10
76**-751	750:5	+ 1%	10
76**-801	800:5	+ 1%	12.5
76**-102	1000:5	+ 1%	10
76**-122	1200:5	+ 1%	10
76**-152	1500:5	+ 1%	12.5
76**-162	1600:5	+ 1%	12.5
76**-202	2000:5	+ 1%	15

Note: When ordering, prefix Cat No. with model designation required, i.e. 76SFT-201, 76RL-201, etc.



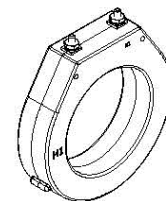
76SHT



76SFT



76RL

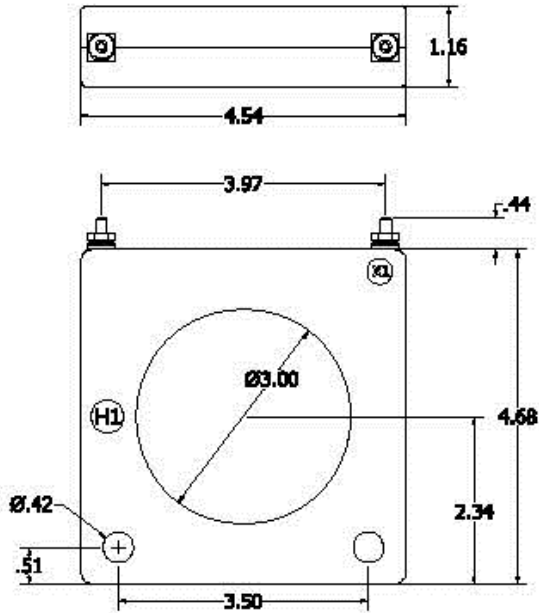


76RT

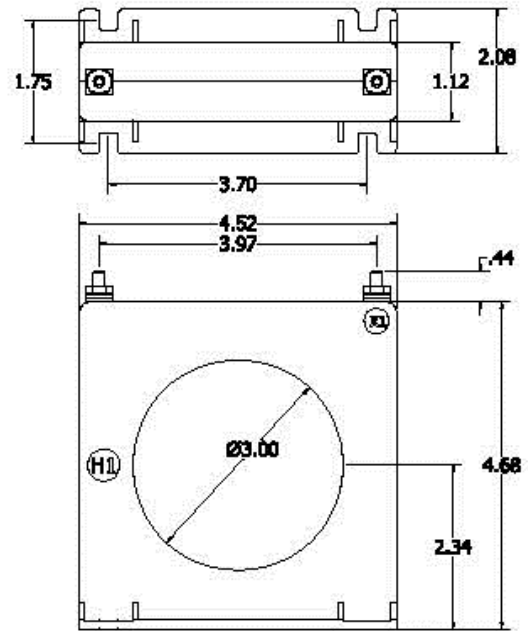
Products are manufactured in a plant whose quality management system is certified / registered as being in conformity with ISO 9001



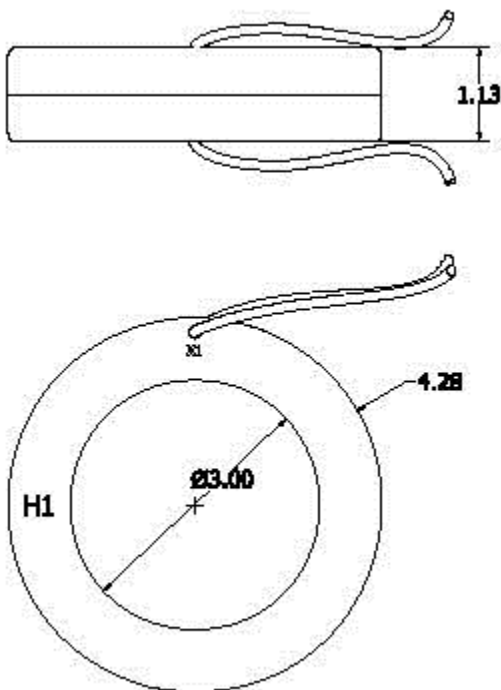
### 76SHT



### 76SFT



### 76RL



### 76RT

