



# Current Transformer

**Model 7A**  
rev 03182021

**CERTIFICATIONS:**

**APPLICATION:**

Ammeters and wattmeters

**FREQUENCY:**

50-400 Hz.

**INSULATION LEVEL:**

600 Volts. 10 kV BIL. full wave

**WINDOW DIAMETER:**

2.50"

**APPROXIMATE WEIGHT:**

1.5 lbs.

**CONNECTIONS:**

- Terminals are brass studs No. 8-32 with one flat washer, lockwasher, and regular nut
- Flexible leads are UL 1015 105° C, CSA approved, #16 AWG, 24" long
- Non-standard, lead length can be specified
- Order Mounting Bracket Kit 0221B00182 separately for model 7ASHT
- Model 7ASHT and model 7ASFT also available as 7ASHL and 7ASFL with leads



Model	7ASHT	7ASFT	7ARL
Window Size	2.50	2.50	2.50
Width	4.56	4.56	4.60
Height	4.88	4.71	4.60
Depth	1.10	2.13	1.10

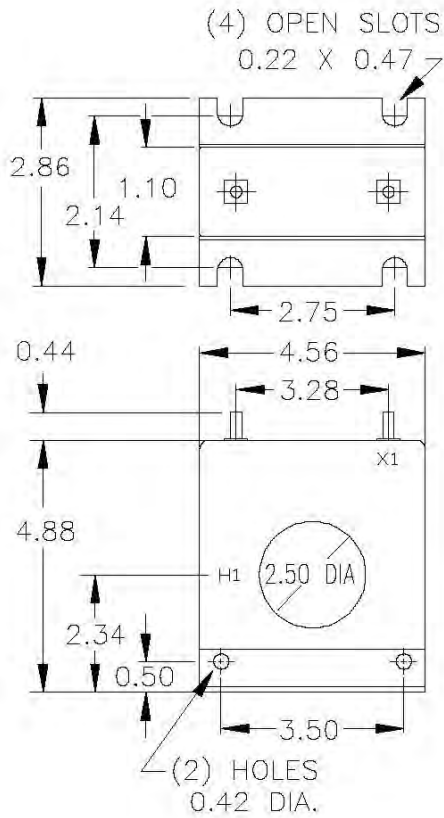
**MODEL 7A**  
Window Diameter 2.50"  
Approximate weight: 1.5 lbs.

CATALOG NUMBER	CURRENT RATIO	V.A. ± 1% CLASS	ANSI METERING CLASS AT 60 HZ					SECONDARY WINDING RESISTANCE (OHMS @ 75°C)	CONTINUOUS THERMAL RATING FACTOR	
			B0.1	B0.2	B0.5	B0.9	B1.8		@ 30°C	@ 55°C
7A**--101	100:5	1.0	2.4	4.8	-	-	-	0.014	2.0	2.0
7A**--151	150:5	2.5	1.2	2.4	4.8	4.8	-	0.025	2.0	2.0
7A**--201	200:5	5.0	0.6	1.2	2.4	4.8	4.8	0.035	2.0	2.0
7A**--251	250:5	7.5	0.3	0.6	1.2	2.4	4.8	0.043	2.0	2.0
7A**--301	300:5	12.5	0.3	0.6	1.2	2.4	2.4	0.052	2.0	1.5
7A**--401	400:5	15.0	0.3	0.3	0.6	1.2	2.4	0.069	2.0	1.5
7A**--501	500:5	25.0	0.3	0.3	0.6	1.2	1.2	0.108	1.5	1.0
7A**--601	600:5	30.0	0.3	0.3	0.6	0.6	1.2	0.130	1.5	1.0
7A**--751	750:5	30.0	0.3	0.3	0.3	0.6	0.6	0.163	1.33	1.0
7A**--801	800:5	35.0	0.3	0.3	0.3	0.6	0.6	0.173	1.33	1.0
7A**--102	1000:5	35.0	0.3	0.3	0.3	0.6	0.6	0.157	1.33	1.0
7A**--122	1200:5	40.0	0.3	0.3	0.3	0.3	0.6	0.234	1.0	1.0
7A**--152	1500:5	50.0	0.3	0.3	0.3	0.3	0.6	0.292	1.0	0.8
7A**--162	1600:5	50.0	0.3	0.3	0.3	0.3	0.6	0.312	1.0	0.8

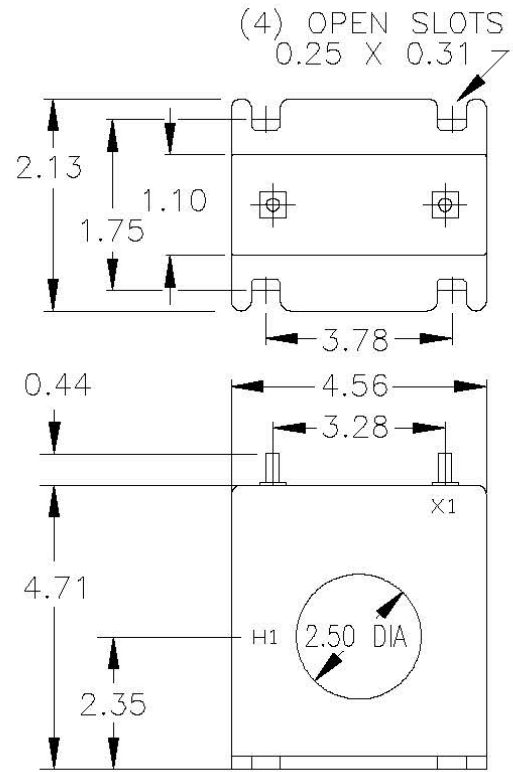
\*\*NOTE: When ordering, prefix Cat. No. with model designation required i.e. 7ASHT-201, 7ARL-301, etc.



### MODEL 7ASHT



### MODEL 7ASFT



### MODEL 7ARL

