



Control Power Transformer

Model CPT3-60-05-6

CERTIFICATIONS:



APPLICATION:

To provide power in Motor Control centers and Distribution Switchgear

FREQUENCY:

50/60 Hz.

INSULATION LEVEL:

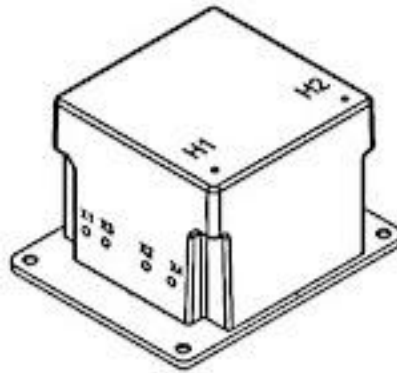
6.9 kV, 60 kV BIL. full wave

THERMAL RATING:

At 30°C. amb.

APPROXIMATE WEIGHT:

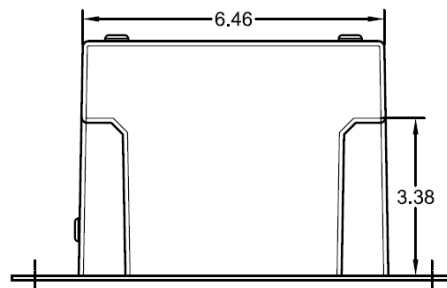
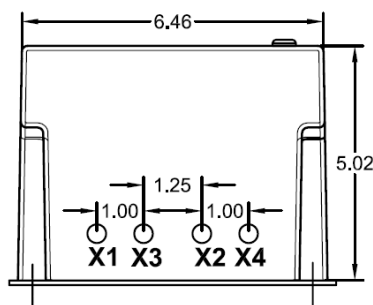
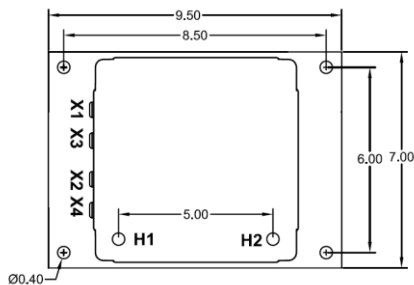
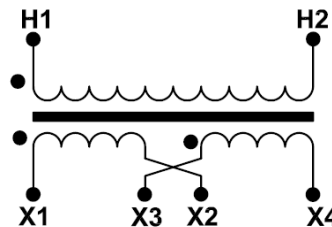
25 lbs.



CATALOG NUMBER	PRIMARY VOLTAGE	RATIO AT 120 V	SECONDARY VOLTAGE	FREQUENCY Hz	THERMAL RATING
CPT3 60 05 2400 – 6	2400	20.00	120/240	50/60	0.5 kVA
CPT3 60 05 3300 – 6	3300	27.50	120/240	50/60	0.5 kVA
CPT3 60 05 4160 – 6	4160	34.66	120/240	50/60	0.5 kVA
CPT3 60 05 4800 – 6	4800	40.00	120/240	50/60	0.5 kVA
CPT3 60 05 5000 – 6	5000	41.66	120/240	50/60	0.5 kVA
CPT3 60 05 5500 – 6	5500	45.83	120/240	50/60	0.5 kVA
CPT3 60 05 6000 – 6	6000	50.00	120/240	50/60	0.5 kVA
CPT3 60 05 6600 – 6	6600	55.00	120/240	50/60	0.5 kVA
CPT3 60 05 6900 - 6	6900	57.50	120/240	50/60	0.5 kVA

- Primary and secondary terminal are brass screws No. 10-32 with one flat washer and lockwasher.
- Transformer winding is vacuum encapsulated in polyurethane resin with temperature insulation class of 105°C
- Plated steel mounting base
- For indoor use

CONNECTION DIAGRAM



Products are manufactured in a plant whose quality management system is certified / registered as being in conformity with ISO 9001