



Control Power Transformer

Model CPT3-60-1.5

CERTIFICATIONS:



APPLICATION:

To provide control power in distribution equipment and motor starters

FREQUENCY:

See below

INSULATION LEVEL:

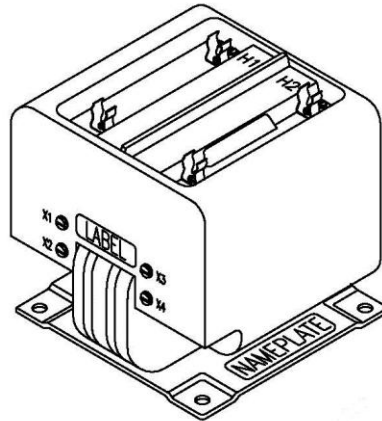
5 kV, 60 kV BIL. full wave

THERMAL RATING:

1.5 kVA at 30°C. amb.

APPROXIMATE WEIGHT:

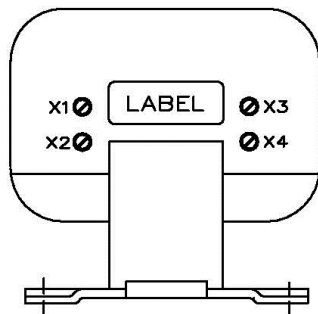
54 lbs.



- Primary terminals are brass screws No. 10-32 with one flat washer and lockwasher.
- Secondary terminals are brass screws No. 10-32 with one flat washer and lockwasher.
- The transformer winding is vacuum encapsulated in polyurethane resin.
- Plated steel mounting base
- For indoor use.

CATALOG NUMBER	PRIMARY VOLTAGE	RATIO	SECONDARY VOLTAGE	FREQUENCY	PRIMARY FUSE
CPT3-60-1.5-242FF	2400V	20:1	120/240V	60Hz	3E
CPT3-60-1.5-332FF	3300V	30:1	110/220V	50Hz	2E
CPT3-60-1.5-4161FF	4160V	34.7:1	120/240V	60Hz	2E
CPT3-60-1.5-482FF	4800V	40.1	120/240V	60Hz	2E

*For fuse clips only, change FF to CC



CONNECTION DIAGRAM

