

## CERTIFICATIONS:



### APPLICATION:

To provide control power in distribution equipment and motor starters

### FREQUENCY:

60 Hz.

### INSULATION LEVEL:

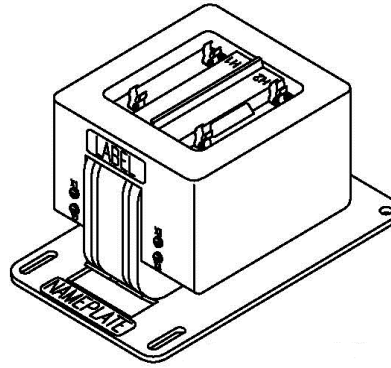
5 kV, 60 kV BIL, full wave

### THERMAL RATING:

3 kVA at 30°C. amb.

### APPROXIMATE WEIGHT:

85 lbs.



CATALOG NUMBER	PRIMARY VOLTAGE	RATIO AT 120 V	SECONDARY VOLTAGE	CATALOG NUMBER	PRIMARY FUSE
CPT3-60-3-242-XXX	2400	20:1	120/240	CPT3-60-3-242FF	5E
CPT3-60-3-4161-XXX	4160	34.7:1	120/240	CPT3-60-3-4161FF	3E
CPT3-60-3-482-XXX	4800	40:1	120/240	CPT3-60-3-482FF	3E

- Primary terminals are brass screws No. 10-32 with one flat washer and lockwasher or HV lead kit shown below.
- Secondary terminals are brass screws No. ¼ - 20 with one flat washer and lockwasher.
- The transformer winding is vacuum encapsulated in polyurethane resin.
- Plated steel mounting base
- For indoor use

