



# Current Transformer

**Model IE53J**  
rev 032916

## CERTIFICATIONS:



**APPLICATION:**

Metering

**FREQUENCY:**

50/60 Hz.

**INSULATION LEVEL:**

720 Volts. 10 kV BIL. full wave

**APPROXIMATE WEIGHT:**

0.22 kg

**CONNECTIONS:**

Secondary terminals screw clamp up to 10mm<sup>2</sup> cable. 'Fast on' 6.3mm type. Integral Terminal Cover IP20B

**ENCLOSURE CODE:**

IP40

**INSULATION CLASS:**

Class E BS2757 IEC85

**COMPLIES WITH / APPROVALS:**

IEC60044-1:2003 / BSEN61010-1, EN60044-1

**MOUNTING HARDWARE OPTION:**

Order p/n: IE53J-FIXING-KIT



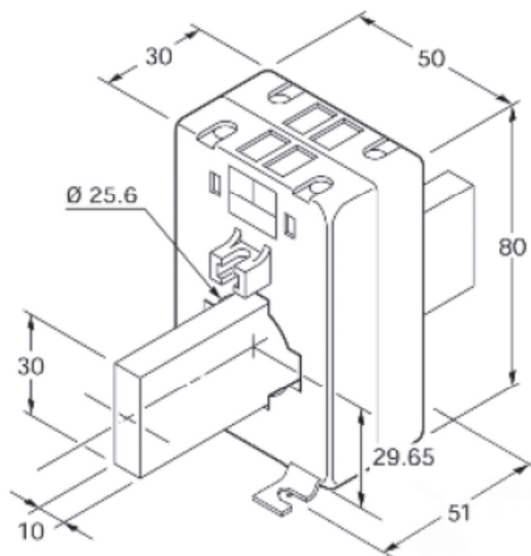
<b>Model</b>	<b>IE53J</b>
<b>Window Size</b>	30 x 10mm 25 x 15mm 20 x 20mm 25mm diameter
<b>Width</b>	50mm
<b>Height</b>	80mm
<b>Depth</b>	30mm

### MODEL IE53J

CATALOG NUMBER	CURRENT RATIO	VA at Class 3	VA at Class 1
IE53J-100/5	100:5	1.25	-
IE53J-125/5	125:5	1.25	-
IE53J-150/5	150:5	2.5	-
IE53J-160/5	160:5	2.5	-
IE53J-200/5	200:5	2.5	2.5
IE53J-250/5	250:5	3.75	2.5
IE53J-300/5	300:5	5	3.75
IE53J-400/5	400:5	7.5	3.75

Note: Change the end suffix to depict required secondary. For example IE53J-200/1.

### DIMENSIONS



Products are manufactured in a plant whose quality management system is certified / registered as being in conformity with ISO 9001