



Current Transformer

Model IEA5G

rev 032916

CERTIFICATIONS:



APPLICATION:

Metering

FREQUENCY:

50/60 Hz.

INSULATION LEVEL:

720 Volts. 10 kV BIL. full wave

APPROXIMATE WEIGHT:

0.60 kg

CONNECTIONS:

Secondary terminals screw clamp up to 10mm² cable. 'Fast on' 6.3mm type. Integral Terminal Cover IP20B

ENCLOSURE CODE:

IP40

INSULATION CLASS:

Class E BS2757 IEC85

COMPLIES WITH / APPROVALS:

IEC60044-1:2003 / BSEN61010-1, EN60044-1

MOUNTING HARDWARE OPTION:

Order p/n: IEA5G-FIXING-KIT



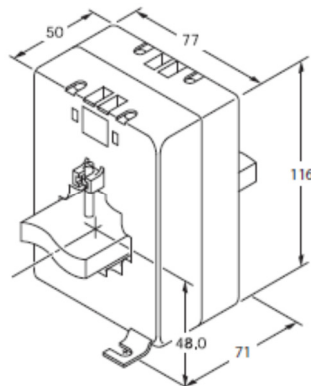
Model	IEA5G
Window Size	40 x 10mm 30 x 30mm 36mm diameter
Width	77mm
Height	116mm
Depth	50mm

MODEL IEA5G

CATALOG NUMBER	CURRENT RATIO	VA at Class 3	VA at Class 1	VA at Class 0.5
IEA5G-100/5	100:5	2.5	-	-
IEA5G-125/5	125:5	5	2.5	-
IEA5G-150/5	150:5	5	3.75	-
IEA5G-200/5	200:5	10	5	2.5
IEA5G-250/5	250:5	10	7.5	5
IEA5G-300/5	300:5	10	7.5	5
IEA5G-400/5	400:5	10	7.5	5
IEA5G-500/5	500:5	10	7.5	5
IEA5G-600/5	600:6	10	10	7.5
IEA5G-750/5	750:5	15	10	10
IEA5G-800/5	800:5	15	10	10
IEA5G-1000/5	1000:5	20	15	15

Note: Change the end suffix to depict required secondary. For example IEA5G-125/1.

DIMENSIONS



Products are manufactured in a plant whose quality management system is certified / registered as being in conformity with ISO 9001