



Current Transformer

Model IEB5D

rev 032916

CERTIFICATIONS:



APPLICATION:

Metering

FREQUENCY:

50/60 Hz.

INSULATION LEVEL:

720 Volts. 10 kV BIL. full wave

APPROXIMATE WEIGHT:

0.50 kg

CONNECTIONS:

Secondary terminals screw clamp up to 10mm² cable. 'Fast on' 6.3mm type. Integral Terminal Cover IP20B

ENCLOSURE CODE:

IP40

INSULATION CLASS:

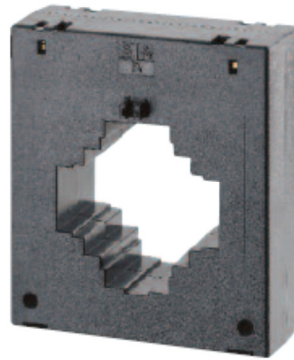
Class E BS2757 IEC85

COMPLIES WITH / APPROVALS:

IEC60044-1:2003 / BSEN61010-1, EN60044-1

MOUNTING HARDWARE OPTION:

Order p/n: IEB5D-FIXING-KIT



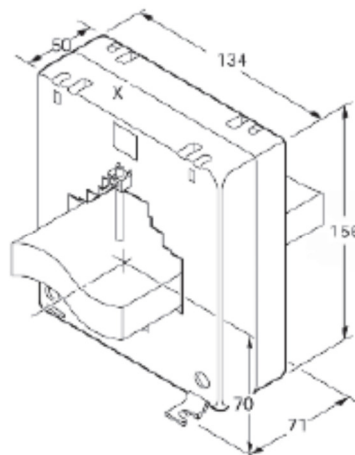
Model	IEB5D
Window Size	80 x 30mm
	60 x 30mm
	50 x 50mm
	63mm diameter
Width	134mm
Height	156mm
Depth	50mm

MODEL IEB5D

CATALOG NUMBER	CURRENT RATIO	VA at Class 3	VA at Class 1	VA at Class 0.5
IEB5D-400/5	400:5	15	10	7.5
IEB5D-500/5	500:5	20	15	10
IEB5D-600/5	600:5	15	10	5
IEB5D-750/5	750:5	15	10	5
IEB5D-800/5	800:5	20	15	7.5
IEB5D-1000/5	1000:5	22.5	20	10
IEB5D-1200/5	1200:5	30	20	15
IEB5D-1250/5	1250:5	30	20	15
IEB5D-1500/5	1500:5	30	20	15
IEB5D-1600/5	1600:5	40	30	20
IEB5D-2000/5	2000:5	50	40	30

Note: Change the end suffix to depict required secondary. For example IEB5D-800/1.

DIMENSIONS



Products are manufactured in a plant whose quality management system is certified / registered as being in conformity with ISO 9001