



**Current Transformer
Technologies LTD**



Current Transformer

Model 135MR

rev 12162025

CERTIFICATIONS:



E228202



223647



ISO 9001

QUALITY
MANAGEMENT



APPLICATION:

Relaying and metering

FREQUENCY:

50-400 Hz.

INSULATION LEVEL:

600 Volts. 10 kV BIL. full wave

WINDOW DIAMETER:

5.75"

APPROXIMATE WEIGHT:

18 lbs.

CONNECTIONS:

-Terminals are brass studs No. 10-32 UNF with one flat washer, lockwasher, and regular nut

-Mounting bracket kit # 110-KIT (optional)

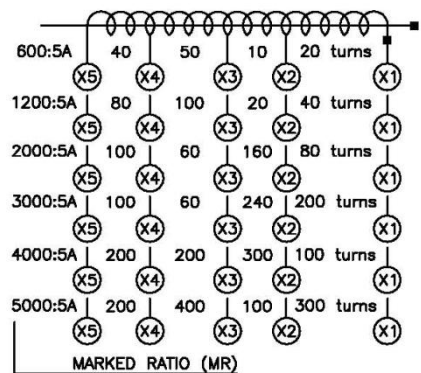
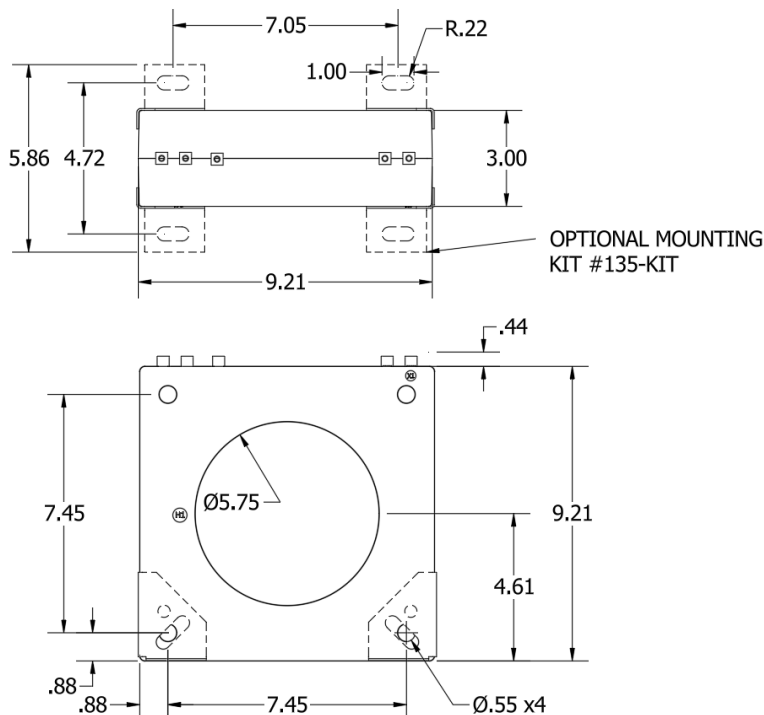
Model	135MR
Window Size	5.75
Width	9.21
Height	9.21
Depth	3.00

MODEL 135MR

Window Diameter 5.75"

Approximate weight: 18 lbs.

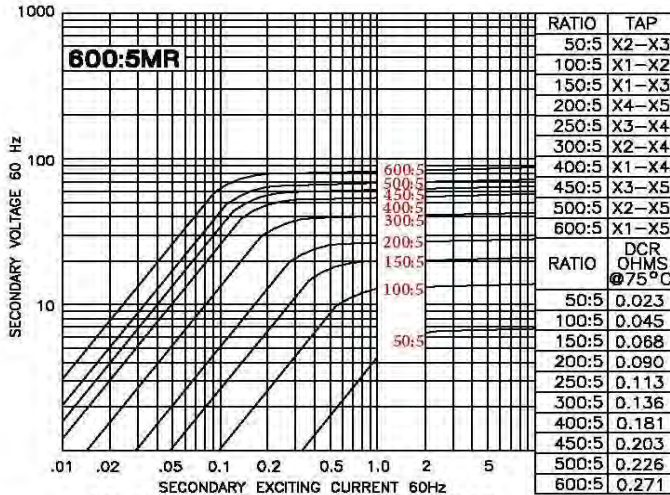
Catalog Number	Relay Class	Continuous Thermal	
		@ 30°C	@ 50°C
135-601MR	C50	2.0	2.0
135-122MR	C100	1.5	1.33
135-202MR	C100	1.0	0.8
135-302MR	C200	1.0	0.8
135-402MR	C200	1.0	0.6
135-502MR	C200	1.0	0.6



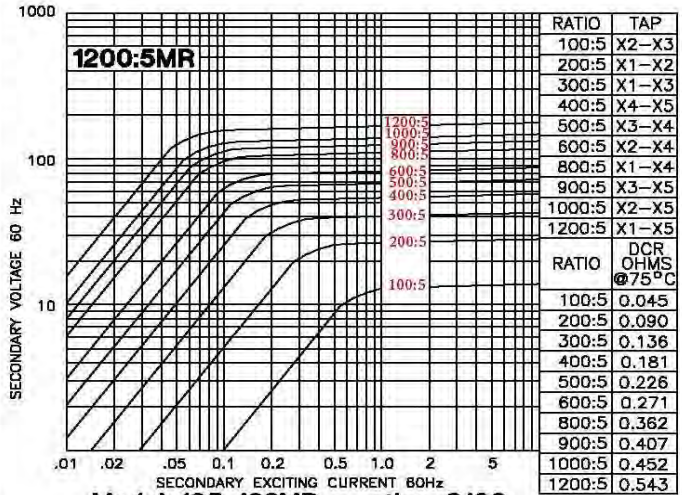
Products are manufactured in a plant whose quality management system has been certified to be in compliance with ISO 9001:2015 by NQA



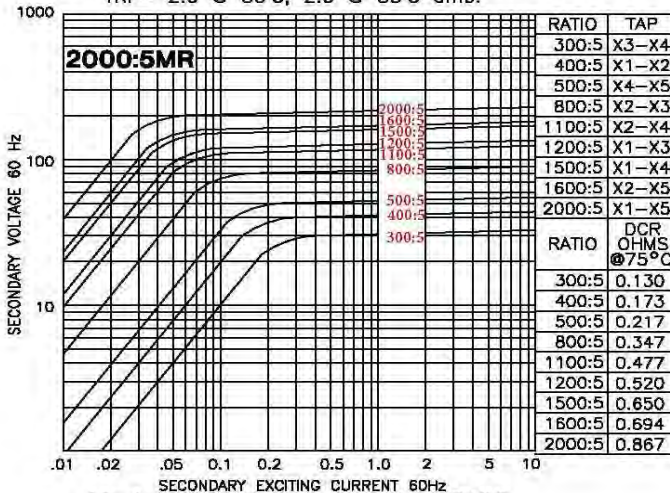
EXCITATION CURVE



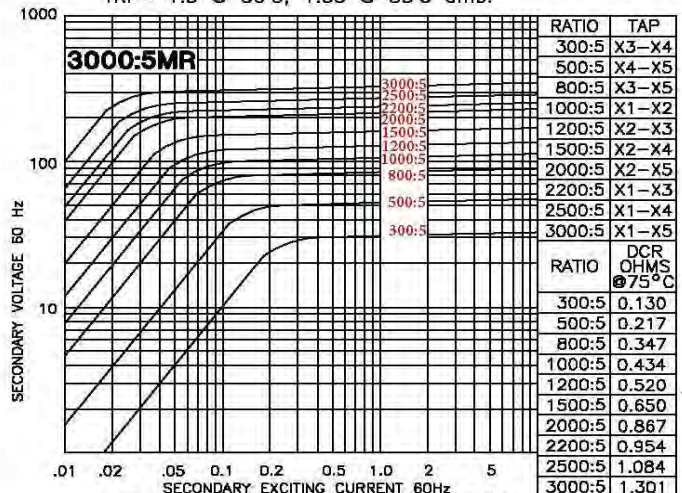
Model 135-601MR - rating C50
TRF= 2.0 @ 30°C, 2.0 @ 55°C amb.



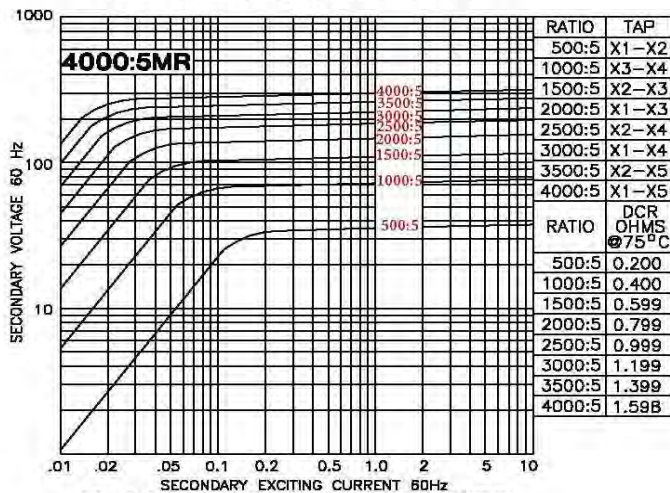
Model 135-122MR - rating C100
TRF= 1.5 @ 30°C, 1.33 @ 55°C amb.



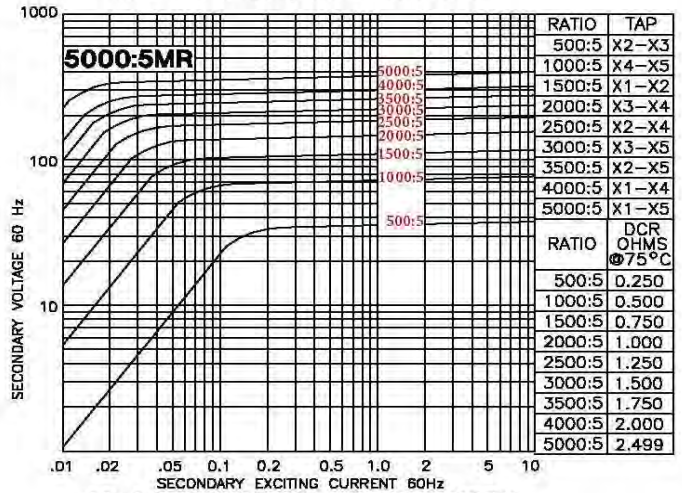
Model 135-202MR - rating C100
TRF= 1.0 @ 30°C, 0.8 @ 55°C amb.



Model 135-302MR - rating C200
TRF= 1.0 @ 30°C, 0.8 @ 55°C amb.



Model 135-402MR - rating C200
TRF= 1.0 @ 30°C, 0.6 @ 55°C amb.



Model 135-502MR - rating C200
TRF= 1.0 @ 30°C, 0.6 @ 55°C amb.