



**Current Transformer  
Technologies LTD**

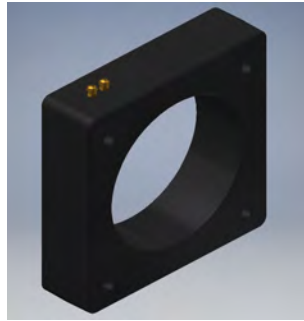


## Current Transformer

**Model 140**

rev 12162025

### CERTIFICATIONS:



**APPLICATION:**

Relaying and metering.

**FREQUENCY:**

50-400 Hz.

**INSULATION LEVEL:**

600 Volts. 10 kV BIL. full wave

**WINDOW DIAMETER:**

8.13"

**APPROXIMATE WEIGHT:**

22 lbs.

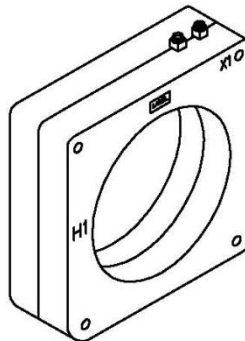
**CONNECTIONS:**

- Terminals are brass screws No. 10-32 UNF with one flat washer and a split lock washer
- Multi-ratios available upon request
- Mounting Kit – #110-KIT

Model	140
Window Size	8.13
Width	11.10
Height	11.47
Depth	3.00

**MODEL 140**  
Window Diameter 8.13"  
Approximate weight: 22 lbs.

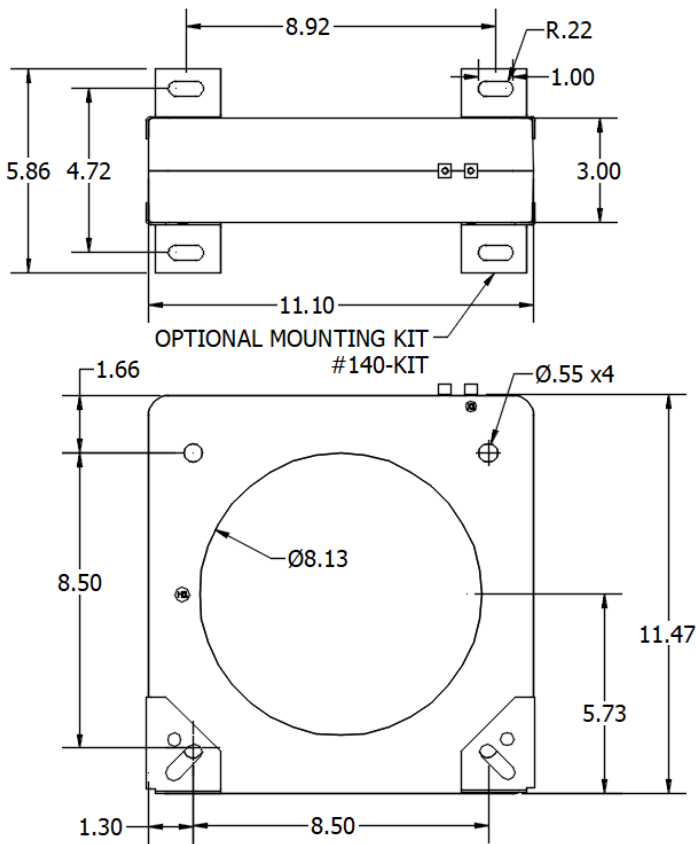
CATALOG NUMBER	CURRENT RATIO	RELAY CLASS	ANSI METERING CLASS AT 60 HZ					SECONDARY WINDING RESISTANCE (OHMS @ 75°C)	CONTINUOUS THERMAL RATING FACTOR	
			B0.1	B0.2	B0.5	B0.9	B1.8		@ 30°C	@ 55°C
140 – 500	50:5	-	-	-	-	-	-	0.022	2	2
140 – 101	100:5	-	2.4	4.8	-	-	-	0.043	2	2
140 – 201	200:5	C10	1.2	1.2	2.4	4.8	-	0.088	2	2
140 – 251	250:5	C20	1.2	1.2	2.4	2.4	4.8	0.110	2	2
140 – 301	300:5	C20	0.6	1.2	1.2	2.4	2.4	0.131	2	2
140 – 401	400:5	C20	0.3	0.3	0.6	1.2	2.4	0.150	2	2
140 – 501	500:5	C20	0.3	0.3	0.6	1.2	1.2	0.216	2	2
140 – 601	600:5	C50	0.3	0.3	0.3	0.6	1.2	0.276	2	2
140 – 801	800:5	C50	0.3	0.3	0.3	0.3	0.6	0.351	2	2
140 – 102	1000:5	C50	0.3	0.3	0.3	0.3	0.6	0.432	2	1.5
140 – 122	1200:5	C100	0.3	0.3	0.3	0.3	0.3	0.529	1.5	1.5
140 – 152	1500:5	C100	0.3	0.3	0.3	0.3	0.3	0.657	1.5	1
140 – 202	2000:5	C100	0.3	0.3	0.3	0.3	0.3	0.865	1.33	1
140 – 252	2500:5	C100	0.3	0.3	0.3	0.3	0.3	1.009	1.33	1
140 – 302	3000:5	C100	0.3	0.3	0.3	0.3	0.3	1.211	1	0.8
140 – 402	4000:5	C200	0.3	0.3	0.3	0.3	0.3	1.614	1	0.8
140 – 502	5000:5	C50	0.3	0.3	0.3	0.3	0.3	1.836	1	0.8
140 – 602	6000:5	C100	0.3	0.3	0.3	0.3	0.3	2.203	1	0.6



Products are manufactured in a plant whose quality management system has been certified to be in compliance with ISO 9001:2015 by NQA



### Model 140



### EXCITATION CURVE

