



**Current Transformer
Technologies LTD**

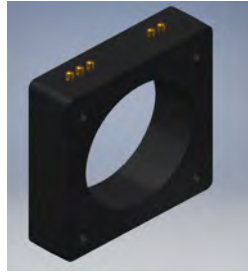


Current Transformer

Model 142MR

rev 12162025

CERTIFICATIONS:



APPLICATION:

Relaying and metering

FREQUENCY:

50-400 Hz.

INSULATION LEVEL:

600 Volts. 10 kV BIL. full wave

WINDOW DIAMETER:

7.25"

APPROXIMATE WEIGHT:

31 lbs.

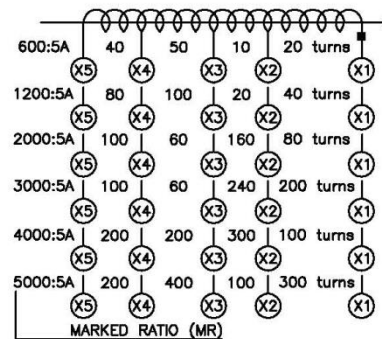
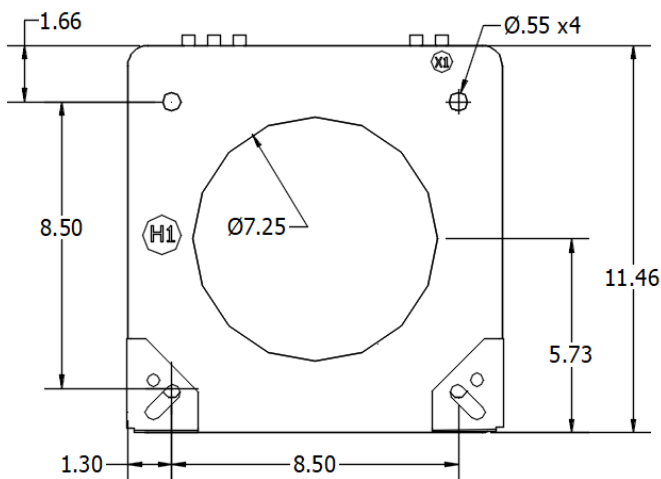
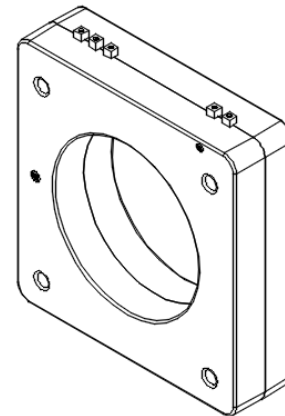
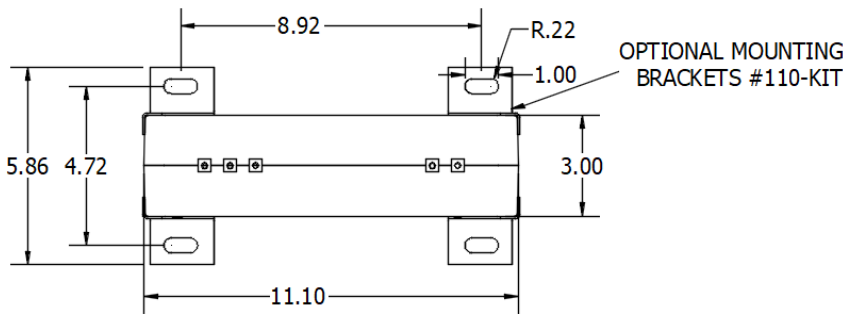
CONNECTIONS:

-Terminals are brass screws No. 10-32 UNF with one flat washer and a split lock washer
-Mounting Kit # 110-KIT (optional)

Model	142MR
Window Size	7.25
Width	11.10
Height	11.47
Depth	3.00

MODEL 142MR
Window Diameter 7.25"
Approximate weight: 31 lbs.

Catalog Number	Relay Class	Continuous Thermal	
		@ 30°C	@ 50°C
142-601MR	C50	2.0	2.0
142-122MR	C200	1.5	1.0
142-202MR	C200	2.0	1.5
142-302MR	C200	1.0	0.8
142-402MR	C200	1.0	0.8
142-502MR	C200	1.0	0.8



Products are manufactured in a plant whose quality management system has been certified to be in compliance with ISO 9001:2015 by NQA