



**Current Transformer  
Technologies LTD**



## Control Power Transformer

**Model 3CPT3-60-30,  
3CPT5-95-30, 3CPT3-60-45,  
3CPT5-95-45 rev 11252025**

### FREQUENCY:

60 Hz.

### THERMAL RATING:

30 kVA at 30°C. ambient  
25.7 kVA at 55°C. ambient  
80°C rise.  
45 kVA at 30°C ambient  
38.6 kVA at 55° ambient.  
80°C rise.

### STANDARD SECONDARY VOLTAGE:

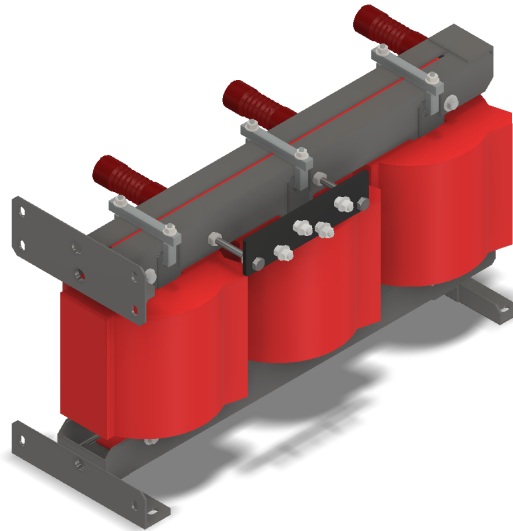
120 volts

### INSULATION LEVEL:

3CPT3: 5kV  
60 kV, 60 kV BIL full wave. 130°C  
3CPT5: 15kV,  
95 kV, 95 kV BIL full wave. 130°C

### APPROXIMATE WEIGHT:

730 lbs.



### CERTIFICATIONS:



ISO 9001

QUALITY  
MANAGEMENT

- Primary terminals are copper compression type lugs.
- Secondary terminals are brass studs ½-13 with one flat washer, star washer and two regular nuts.
- The high voltage coils are vacuum encapsulated in epoxy resin. Complete unit is varnish dipped.
- Supplied with taps on the primary side:  
Cat. Suffix A –(1) ± 7-1/2% taps or  
Cat. Suffix B –(2) ± 2-1/2% taps.
- Secondary typically 120/240 V operation.
- Available as unfused only.
- Vertical or horizontal mounting.
- Mounting base and frame is 7 ga. (0.188" thk) steel, with (8) 0.56 x 0.875 slots.
- For indoor use.

***CATALOG NO.	PRIMARY VOLTAGE	SECONDARY VOLTAGE	**FUSE RATING	***CATALOG NO.	PRIMARY VOLTAGE	SECONDARY VOLTAGE	**FUSE RATING
3CPT3-60-15-242	2400	208Y/120	10E	3CPT3-60-45-242	2400	208Y/120	25E
3CPT3-60-15-4161	4160	208Y/120	7E	3CPT3-60-45-4161	4160	208Y/120	15E
3CPT3-60-15-482	4800	208Y/120	5E	3CPT3-60-45-482	4800	208Y/120	15E
3CPT5-95-15-722	7200	208Y/120	5E	3CPT5-95-45-722	7200	208Y/120	15E
3CPT5-95-15-842	8400	208Y/120	5E	3CPT5-95-45-842	8400	208Y/120	15E
3CPT5-95-15-123	12000	208Y/120	3E	3CPT5-95-45-123	12000	208Y/120	7E
3CPT5-95-15-1242	12470	208Y/120	3E	3CPT5-95-45-1242	12470	208Y/120	7E
3CPT5-95-15-1322	13200	208Y/120	3E	3CPT5-95-45-1322	13200	208Y/120	7E
3CPT5-95-15-1382	13800	208Y/120	3E	3CPT5-95-45-1382	13800	208Y/120	7E

\*Note all fuse ratings are based upon NEC transformer overcurrent protection recommendations. Specific applications may require other ratings.

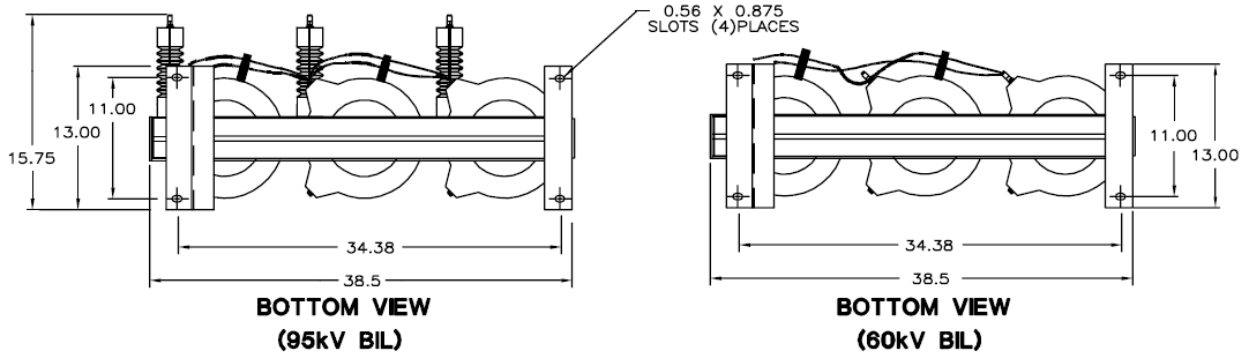
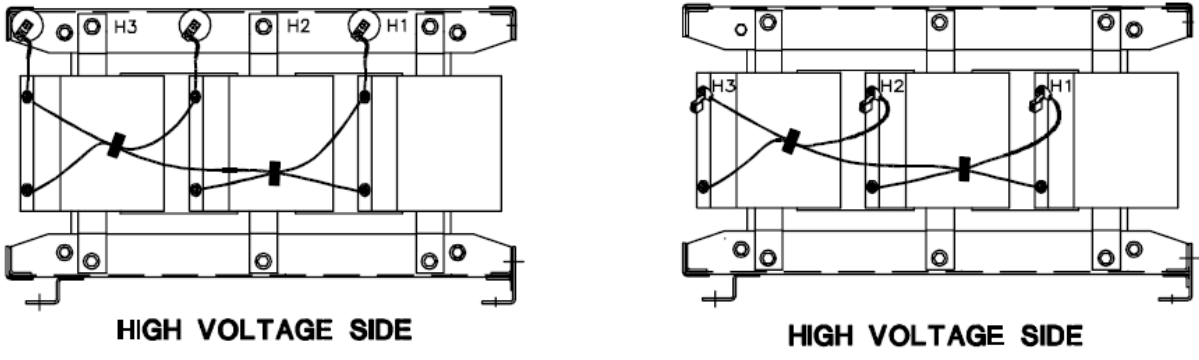
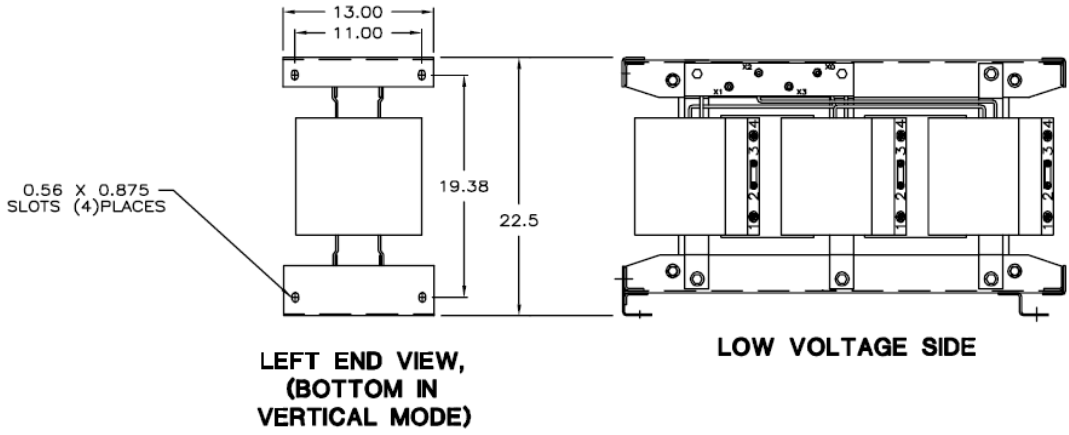
PRIMARY VOLTS	CONNECT
107.5%	1 – 2
100%	2 – 3
92.5%	3 – 4

1 ± 7-1/2% PRIMARY TAPS – SUFFIX "A"

PRIMARY VOLTS	CONNECT
105%	1 – 2
102.5%	2 – 3
100%	3 – 4
97.5%	4 – 5
92.5%	5 – 6

2 ± 2-1/2% PRIMARY TAPS – SUFFIX "B"

Products are manufactured in a plant whose quality management system has been certified to be in compliance with ISO 9001:2015 by NQA



FOR HORIZONTAL OR VERTICAL MOUNTING

