



**Current Transformer  
Technologies LTD**

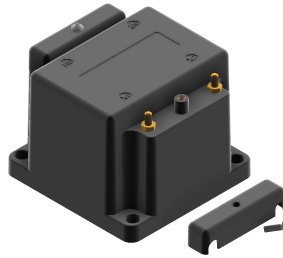


## Voltage Transformer

**Model 460**

rev 09302025

### CERTIFICATIONS:



Model	460
Width	4.50
Height	3.50
Depth	4.63

#### FREQUENCY:

SEE CHART

#### STANDARD SECONDARY VOLTAGE:

120 Volts @ 60Hz, 110 Volts @ 50Hz

#### INSULATION LEVEL:

600 Volts. 10 kV BIL. full wave

#### ACCURACY CLASS:

0.6 W, 1.2 X at 60 Hz

#### THERMAL RATING:

150 VA AT 30°C. AMB, 100 VA AT 55°C. amb.

#### APPROXIMATE WEIGHT:

7.75 lbs.

#### CONNECTIONS:

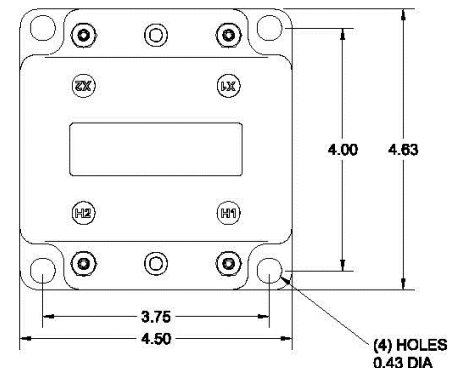
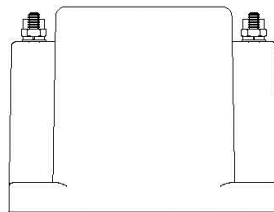
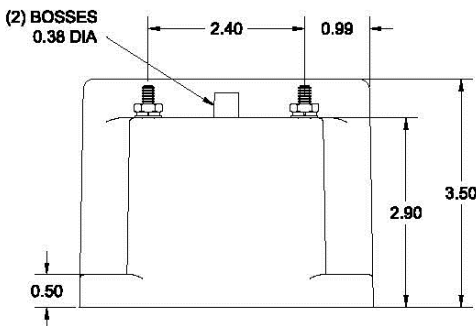
-Terminals are brass studs No. 10-32 with one lockwasher, flat washer, and regular nut

#### MODEL 460

Approximate weight: 7.75 lbs.

CATALOG NUMBER NOT FUSED	VOLTAGE RATING	VOLT (TURN) RATIO	REC. PRIMARY FUSE RATING	FREQUENCY
460-069	69.3:120	0.58:1	5	60 Hz
460-120	120:120	1:1	4	60 Hz
460-208	208:120	1.73:1	2	60 Hz
460-240	240:120	2:1	2	60 Hz
460-277	277:120	2.31:1	2	60 Hz
460-288	288:120	2.4:1	1.5	60 Hz
460-300	300:120	2.5:1	1.5	60 Hz
460-346	346:120	2.88:1	1.5	60 Hz
460-480*	480:120	4:1	1	60 Hz
460-600*	600:120	5:1	0.75	60 Hz
460-690**	690:110	6.27:1	0.5	50 Hz

- Each transformer has two plastic terminal covers.
- The core and coil assembly is encased in a thermoplastic shell and filled with resin.
- These transformers are designed for operation line to line. They may also be operated line to ground or line to neutral at reduced voltage (58% of rated volts).
- It is desirable to use a 1.6 amp fuse in the secondary to protect the transformer.
- With three exceptions these transformers are ANSI C57.13 group 1. Those marked \* are group 2 and those marked \*\* are IEC
- Models designed specifically for 50 Hz operation are available with reduced performance consult factory for details.



Products are manufactured in a plant whose quality management system has been certified to be in compliance with ISO 9001:2015 by NQA