



**Current Transformer
Technologies LTD**



Voltage Transformer

Model 468
rev 10032025

CERTIFICATIONS:



FREQUENCY:

60 Hz.

STANDARD SECONDARY VOLTAGE:

120 Volts

INSULATION LEVEL:

600 Volts. 10 kV BIL. full wave

ACCURACY CLASS:

± 0.6% at all burdens up to 7.5 VA and ±1.5% 20 VA Burden.

THERMAL RATING:

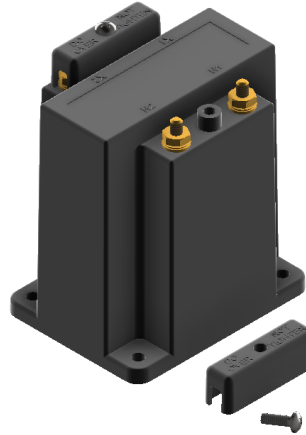
75 VA AT 30°c . amb., 50 VA AT 55°c. amb.

APPROXIMATE WEIGHT:

4 lbs.

CONNECTIONS:

-Terminals are brass studs No. 10-32 screws with one lockwasher, one flat washer, and regular nut.

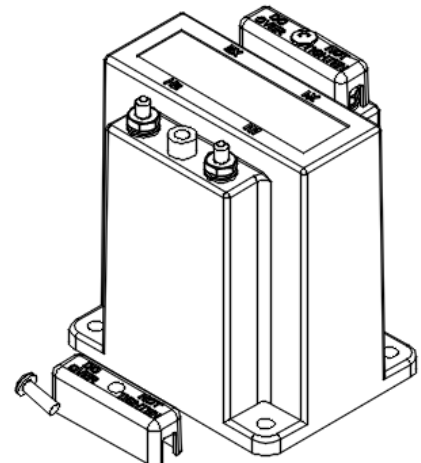
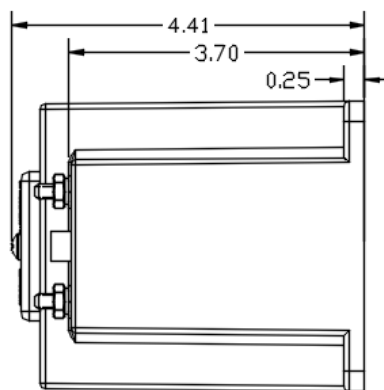
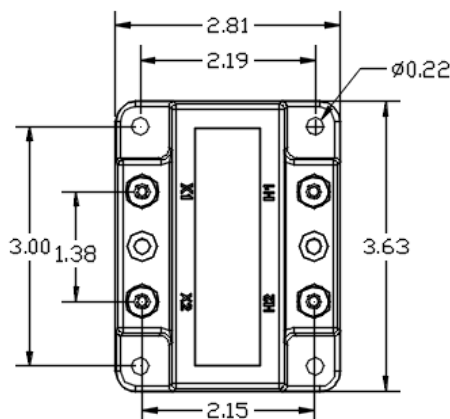


MODEL 468

Approximate weight: 4 lbs.

CATALOG NUMBER	VOLTAGE RATING	TURNS RATIO	REC. PRIMARY FUSE RATING
468-069	69.3:120	0.58:1	3
468-120	120:120	1:1	2
468-208	208:120	1.73:1	1
468-240	240:120	2:1	1
468-277	277:120	2.31:1	1
468-288	288:120	2.4:1	0.75
468-300	300:120	2.5:1	0.75
468-346	346:120	2.88:1	0.75
468-480*	480:120	4:1	0.50
468-600*	600:120	5:1	0.40

- The core and coil assembly is encased in a thermoplastic shell and filled with resin.
- Each transformer has two plastic terminal covers.
- These transformers are designed for operation line to line. They may also be operated line to ground or line to neutral at reduced voltage (58% of rated volts).
- It is desirable to use a 0.80 amp fuse in the secondary to protect the transformer.
- With two exceptions these transformers are ANSI C57. 13 group 1. Those marked * are group 2.



Products are manufactured in a plant whose quality management system has been certified to be in compliance with ISO 9001:2015 by NQA