



**Current Transformer
Technologies LTD**



Control Power Transformer

Model CPT3-45-0.3

rev 11172025

CERTIFICATIONS:



APPLICATION:

To provide control power in distribution equipment and motor starters. May also be used for indicating and recording voltmeters.

FREQUENCY:

See below.

ACCURACY:

+ 1% at 25 VA.

INSULATION LEVEL:

5 kV, 45 kV BIL. full wave

THERMAL RATING:

At 30°C. amb., see below

APPROXIMATE WEIGHT:

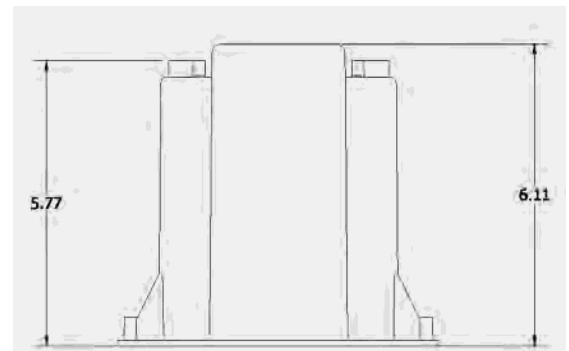
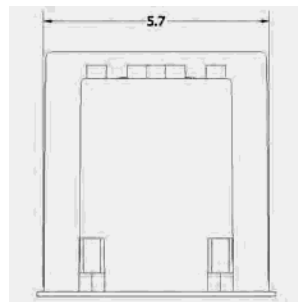
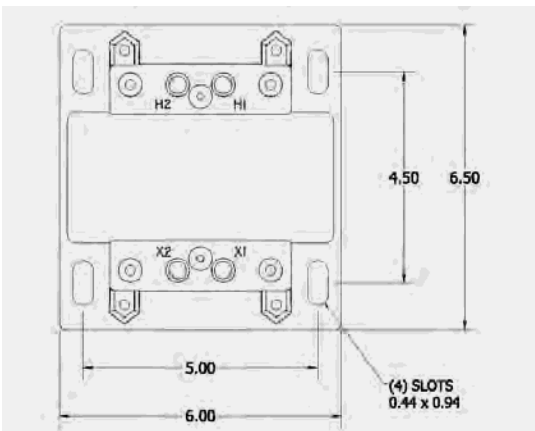
18 lbs.



Model	CPT3-45-0.3
Width	6.00
Height	6.11
Depth	6.50

- Primary fuses are not supplied, but are recommended. Use a 5kV class 0.5E fuse for all ratings 4160V and above, and 1E fuse for all ratings 3300V and below.
- Primary and secondary terminals are brass screws No. 10-32 with on flat washer and lockwasher.
- The transformer winding is vacuum encapsulated in a polyurethane resin.
- Plated steel mounting base.
- For indoor use.

CATALOG NUMBER	PRIMARY VOLTAGE	RATIO	SECONDARY VOLTAGE	THERMAL RATING
CPT3-45-0.3-841	840	7:1	120	300VA
CPT3-45-0.3-122	1200	10:1	120	300VA
CPT3-45-0.3-242	2400	20:1	120	300VA
CPT3-45-0.3-332	3300	20:1	120	200VA
CPT3-45-0.3-4161	4160	34.7:1	110	200VA
CPT3-45-0.3-482	4800	40:1	120	200VA



Products are manufactured in a plant whose quality management system has been certified to be in compliance with ISO 9001:2015 by NQA