



**Current Transformer
Technologies LTD**



Control Power Transformer

Model CPT3-60-0.5

rev 11132025

CERTIFICATIONS:



APPLICATION:

To provide control power in distribution equipment and motor starters. May also be used for indicating and recording voltmeters.

FREQUENCY:

60 Hz.

ACCURACY:

+ 1% at 100 VA.

INSULATION LEVEL:

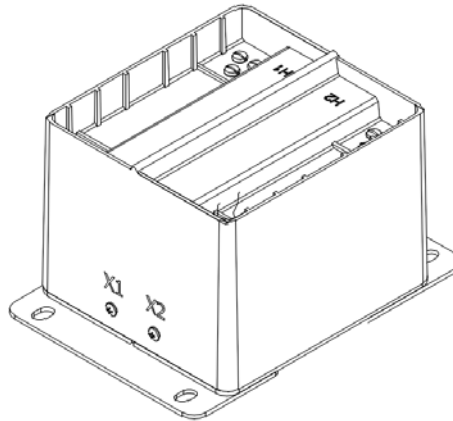
5 kV, 60 kV BIL. full wave

THERMAL RATING:

At 30°C. amb., see below

APPROXIMATE WEIGHT:

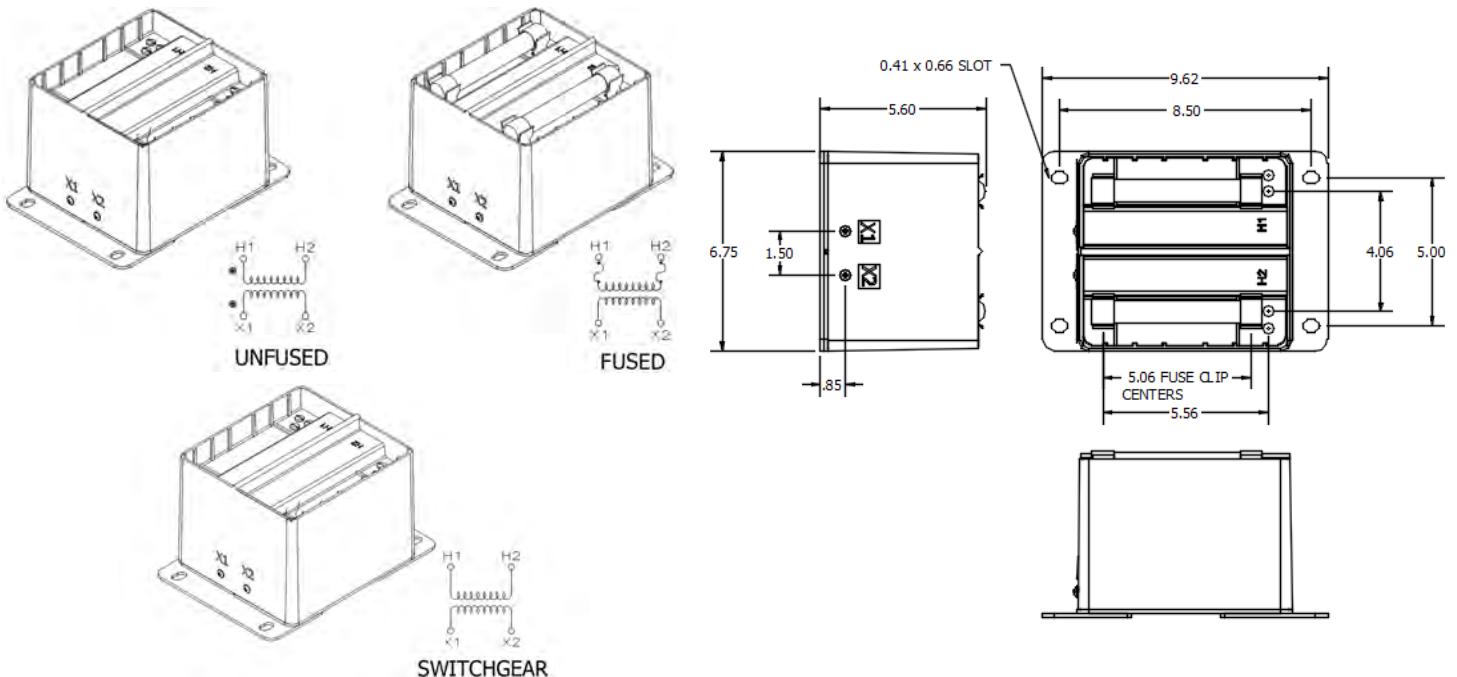
22 lbs.



- Suggested fuse rating: See below, 50kA RMS Symmetrical. Fuse diameter is 0.81 inches. Higher fuse ratings available at users option.
- Primary and secondary terminals are brass screws No. 10-32 with on flat washer and lockwasher.
- The transformer winding is vacuum encapsulated in a polyurethane resin.
- Plated steel mounting base is removable. CPT can be mounted with base as shown, with base rotated 90 degrees, or without a base.
- For indoor use.

PRIMARY VOLTAGE	RATIO	SECONDARY VOLTAGE	THERMAL RATING	CATALOG NUMBERS				SUGGESTED FUSE RATING CONTINUOUS AMPERES
				UNFUSED (a)	FUSED	FUSE CLIPS ONLY	SWITCHGEAR	
2400	20:1	120	500VA	CPT3-60-0.5-242	CPT3-60-0.5-242FF	CPT3-60-0.5-242CC	CPT3-60-0.5-242SS	2.0E
3300	30:1	110-50Hz	450VA	CPT3-60-0.5-332	CPT3-60-0.5-332FF	CPT3-60-0.5-332CC	CPT3-60-0.5-332SS	1.0E
4200	35:1	120	500VA	CPT3-60-0.5-422	CPT3-60-0.5-422FF	CPT3-60-0.5-422CC	CPT3-60-0.5-422SS	1.0E
4800	40:1	120	450VA	CPT3-60-0.5-482	CPT3-60-0.5-482FF	CPT3-60-0.5-482CC	CPT3-60-0.5-482SS	1.0E
6600	60:1	110-50Hz	300VA	CPT3-60-0.5-662	CPT3-60-0.5-662FF	CPT3-60-0.5-662CC	CPT3-60-0.5-662SS	0.5E
7200	60:1	120	300VA	CPT3-60-0.5-722	CPT3-60-0.5-722FF	CPT3-60-0.5-722CC	CPT3-60-0.5-722SS	0.5E

(a) FUSES MUST BE MOUNTED SEPARATELY



Products are manufactured in a plant whose quality management system has been certified to be in compliance with ISO 9001:2015 by NQA