



**Current Transformer
Technologies LTD**



Control Power Transformer

Model CPT3-60-1.0

rev 02102026

CERTIFICATIONS:



APPLICATION:

To provide control power in distribution equipment and motor starters.

FREQUENCY:

See below

INSULATION LEVEL:

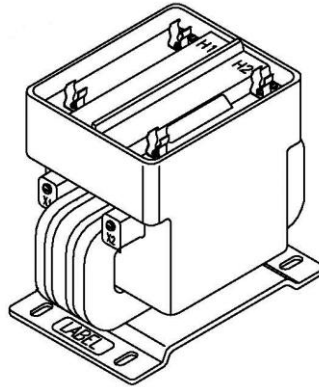
5 kV, 60 kV BIL, full wave

THERMAL RATING:

At 30°C. amb., see below.

APPROXIMATE WEIGHT:

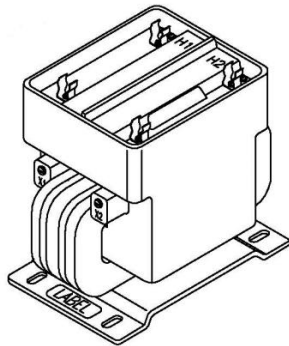
40 lbs.



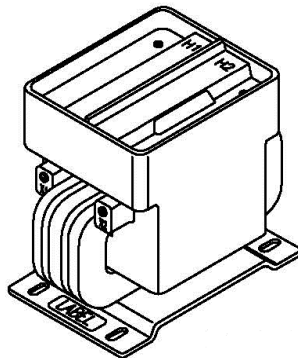
- Primary and secondary terminals are brass screws No. 10-32 with one flat washer and lockwasher.
- Steel mounting base
- The transformer winding is vacuum encapsulated in polyurethane resin.
- For indoor use.

CATALOG NUMBER	PRIMARY VOLTAGE	RATIO	SECONDARY VOLTAGE	FREQUENCY	THERMAL RATING	PRIMARY FUSE
CPT3-60-1.0-242FF	2400V	20:1	120V	60Hz	1.0kVA	2E
CPT3-60-1.0-332FF	3300V	30:1	110V	50Hz	0.8kVA	2E
CPT3-60-1.0-4161FF	4160V	34.7:1	120V	60Hz	1.0kVA	2E
CPT3-60-1.0-482FF	4800V	40:1	120V	60Hz	1.0kVA	2E
CPT3-60-1.0-662FF	6600V	60:1	110V	50Hz	0.6kVA	1E
CPT3-60-1.0-722FF	7200V	60:1	120V	60Hz	0.6kVA	1E

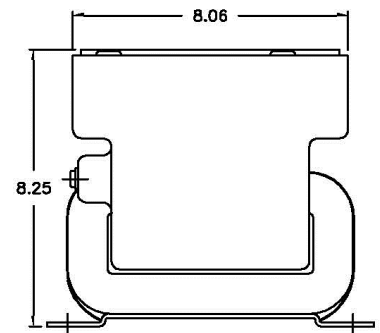
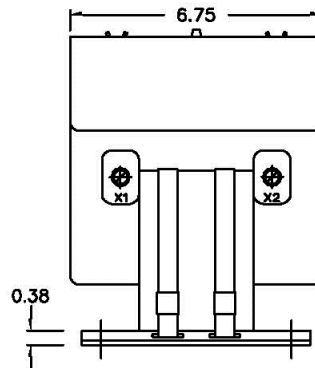
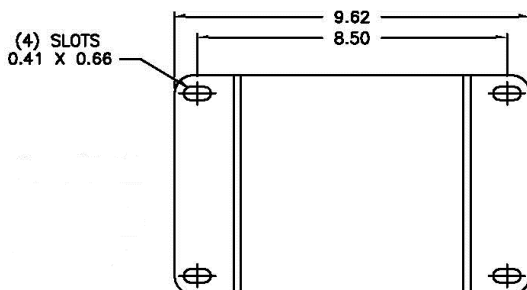
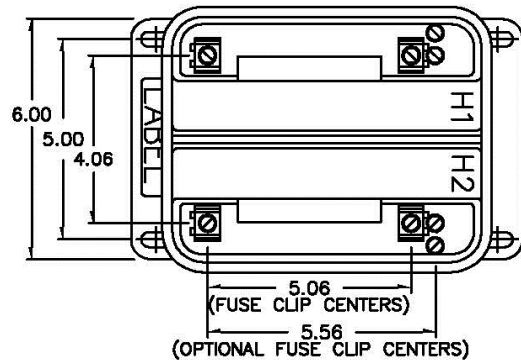
*For fuse clips only, change FF to CC



FUSED STYLE



UNFUSED STYLE



BASE PLATE

Products are manufactured in a plant whose quality management system has been certified to be in compliance with ISO 9001:2015 by NQA