



Current Transformer

Model IE55E
rev 11052025

CERTIFICATIONS:



APPLICATION:

Metering

FREQUENCY:

50/60 Hz.

INSULATION LEVEL:

720 Volts. 10 kV BIL. full wave

APPROXIMATE WEIGHT:

0.40 kg

CONNECTIONS:

Secondary terminals screw clamp up to 10mm² cable. 'Fast on' 6.3mm type. Integral Terminal Cover IP20B

ENCLOSURE CODE:

IP40

INSULATION CLASS:

Class E BS2757 IEC85

COMPLIES WITH / APPROVALS:

IEC60044-1:2003 / BSEN61010-1, EN60044-1

MOUNTING HARDWARE OPTION:

Order p/n: IE55E-FIXING-KIT

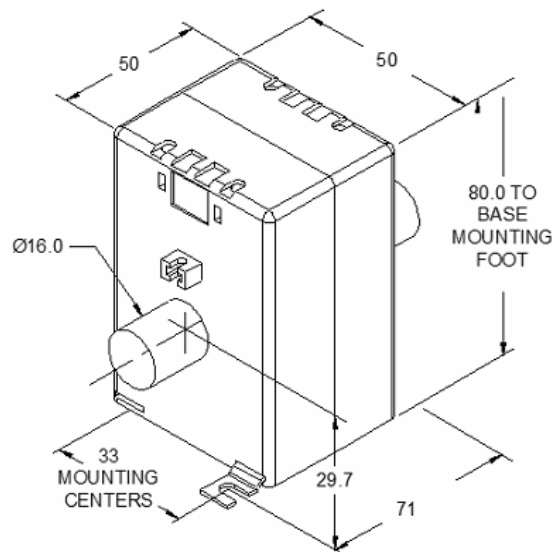
Model	IE55E
Window Size	15 x 5mm 16mm diameter
Width	50mm
Height	80mm
Depth	50mm

MODEL IE55E

CATALOG NUMBER	CURRENT RATIO	VA at Class 3	VA at Class 1
IE55E-30/5	30:5	1.25	-
IE55E-40/5	40:5	2.5	-
IE55E-50/5	50:5	2.5	-
IE55E-60/5	60:5	3.75	2.5
IE55E-75/5	75:5	5	3.75
IE55E-80/5	80:5	5	3.75
IE55E-100/5	100:5	7.5	5

Note: Change the end suffix to depict required secondary. For example IE55E-80/1.

DIMENSIONS in mm



Products are manufactured in a plant whose quality management system has been certified to be in compliance with ISO 9001:2015 by NQA