



# Current Transformer

**Model IE63N**  
rev 11052025

**CERTIFICATIONS:**



**APPLICATION:**

Metering

**FREQUENCY:**

50/60 Hz.

**INSULATION LEVEL:**

720 Volts. 10 kV BIL. full wave

**APPROXIMATE WEIGHT:**

0.30 kg

**CONNECTIONS:**

Secondary terminals screw clamp up to 10mm<sup>2</sup> cable. 'Fast on' 6.3mm type. Integral Terminal Cover IP20B

**ENCLOSURE CODE:**

IP40

**INSULATION CLASS:**

Class E BS2757 IEC85

**COMPLIES WITH / APPROVALS:**

IEC60044-1:2003 / BSEN61010-1, EN60044-1

**MOUNTING HARDWARE OPTION:**

Order p/n: IE63N-FIXING-KIT

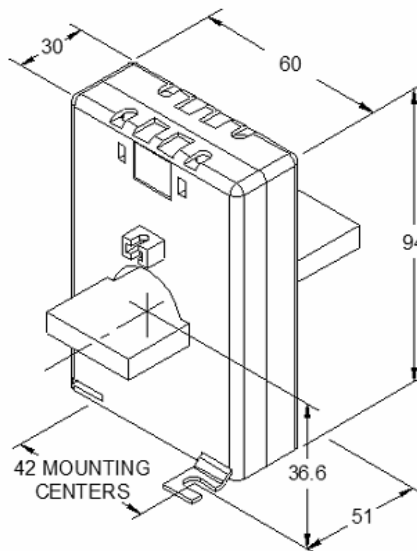
<b>Model</b>	<b>IE63N</b>
<b>Window Size</b>	40 x 10mm 32mm diameter
<b>Width</b>	60mm
<b>Height</b>	94mm
<b>Depth</b>	30mm

**MODEL IE63N**

CATALOG NUMBER	CURRENT RATIO	VA at Class 3	VA at Class 1	VA at Class 0.5
IE63N-200/5	200:5	2.5	-	-
IE63N-250/5	250:5	3.75	2.5	-
IE63N-300/5	300:5	5	3.75	-
IE63N-400/5	400:5	7.5	5	-
IE63N-500/5	500:5	10	7.5	3.75
IE63N-600/5	600:5	10	7.5	5
IE63N-750/5	750:5	15	10	7.5
IE63N-800/5	800:5	15	10	7.5

Note: Change the end suffix to depict required secondary. For example IE63N-500/1.

**DIMENSIONS in mm**



Products are manufactured in a plant whose quality management system has been certified to be in compliance with ISO 9001:2015 by NQA