



# Current Transformer

**Model IEB5Z**  
rev 11052025

## CERTIFICATIONS:



**APPLICATION:**

Metering

**FREQUENCY:**

50/60 Hz.

**INSULATION LEVEL:**

720 Volts. 10 kV BIL. full wave

**APPROXIMATE WEIGHT:**

0.70 kg

**CONNECTIONS:**

Secondary terminals screw clamp up to 10mm<sup>2</sup> cable. 'Fast on' 6.3mm type. Integral Terminal Cover IP20B

**ENCLOSURE CODE:**

IP40

**INSULATION CLASS:**

Class E BS2757 IEC85

**COMPLIES WITH / APPROVALS:**

IEC60044-1:2003 / BSEN61010-1, EN60044-1

**MOUNTING HARDWARE OPTION:**

Order p/n: IEB5Z-FIXING-KIT



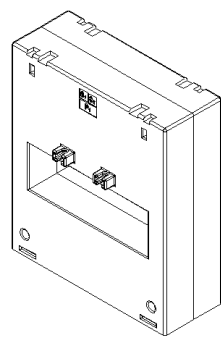
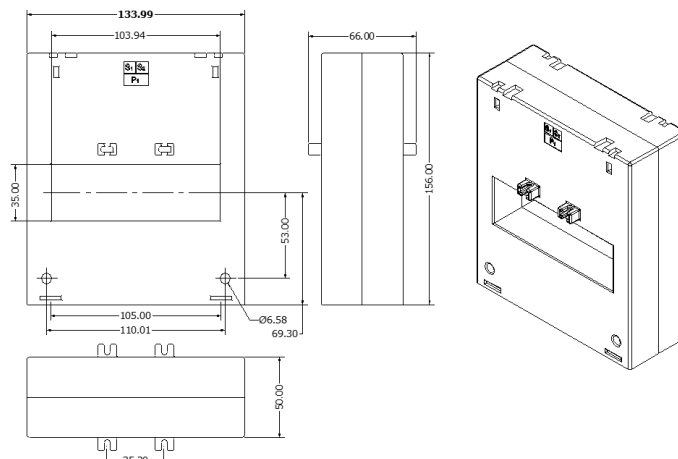
<b>Model</b>	<b>IEB5Z</b>
<b>Window Size</b>	104 x 35mm 35mm diameter
<b>Width</b>	134mm
<b>Height</b>	156mm
<b>Depth</b>	50mm

### MODEL IEB5Z

CATALOG NUMBER	CURRENT RATIO	VA at Class 3	VA at Class 1	VA at Class 0.5
IEB5Z-750/5	750:5	15	7.5	2.5
IEB5Z-800/5	800:5	20	10	2.5
IEB5Z-1000/5	1000:5	22.5	15	2.5
IEB5Z-1200/5	1200:5	30	20	10
IEB5Z-1250/5	1250:5	30	20	15
IEB5Z-1500/5	1500:5	30	20	15
IEB5Z-1600/5	1600:5	30	20	15
IEB5Z-2000/5	2000:5	30	20	15
IEB5Z-2400/5	2400:5	30	20	15
IEB5Z-2500/5	2500:5	30	20	15
IEB5Z-3000/5	3000:5	30	20	15
IEB5Z-4000/5	4000:5	30	20	15

Note: Change the end suffix to depict required secondary. For example IEB5Z-800/1.

**DIMENSIONS in mm**



Products are manufactured in a plant whose quality management system has been certified to be in compliance with ISO 9001:2015 by NQA