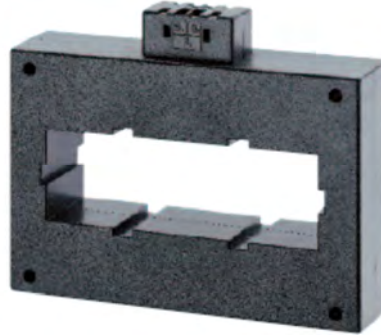




# Current Transformer

**Model IED5T**  
rev 11052025

## CERTIFICATIONS:



**APPLICATION:**

Metering

**FREQUENCY:**

50/60 Hz.

**INSULATION LEVEL:**

720 Volts. 10 kV BIL. full wave

**APPROXIMATE WEIGHT:**

1.5 kg

**CONNECTIONS:**

Secondary terminals screw clamp up to 10mm<sup>2</sup> cable. 'Fast on' 6.3mm type. Integral Terminal Cover IP20B

**ENCLOSURE CODE:**

IP40

**INSULATION CLASS:**

Class E BS2757 IEC85

**COMPLIES WITH / APPROVALS:**

IEC60044-1:2003 / BSEN61010-1, EN60044-1

**MOUNTING HARDWARE OPTION:**

Order p/n: IED5T-FIXING-KIT

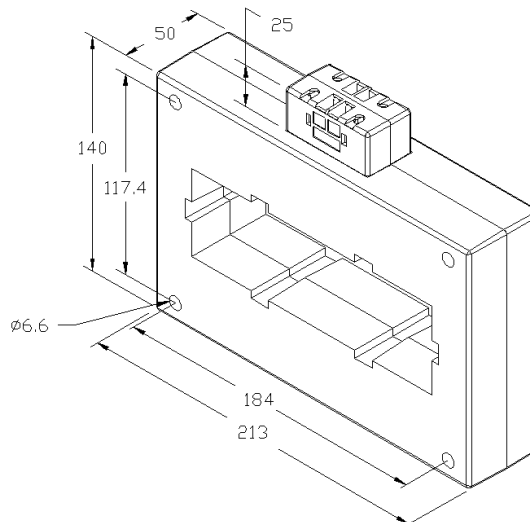
<b>Model</b>	IED5T
<b>Window Size</b>	160 x 50mm
<b>Width</b>	213mm
<b>Height</b>	165mm
<b>Depth</b>	50mm

### MODEL IED5T

CATALOG NUMBER	CURRENT RATIO	VA at Class 3	VA at Class 1	VA at Class 0.5
IED5T-1600/5	1600:5	45	30	20
IED5T-2000/5	2000:5	45	30	20
IED5T-2500/5	2500:5	60	45	30
IED5T-3000/5	3000:5	60	45	30
IED5T-3200/5	3200:5	60	45	30
IED5T-4000/5	4000:5	60	45	30
IED5T-5000/5	5000:5	60	45	30
IED5T-6000/5	6000:5	60	45	30

Note: Change the end suffix to depict required secondary. For example IED5T-3200/1.

### DIMENSIONS in mm



Products are manufactured in a plant whose quality management system has been certified to be in compliance with ISO 9001:2015 by NQA