



**Current Transformer  
Technologies LTD**



# Indoor Voltage Transformer

**Model PT3-60**

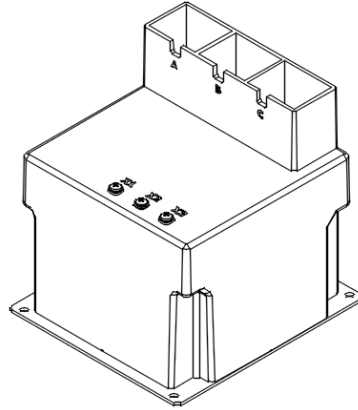
rev 11112025

## CERTIFICATIONS:



ISO 9001

QUALITY  
MANAGEMENT



### ACCURACY CLASS:

0.3 WX, 0.6M, 1.2Y at 100% rated voltage with 120V based ANSI burden

### FREQUENCY:

50/60 Hz.

### THERMAL RATING:

300 VA total, 150 VA at 30°C. amb.

200 VA total, 100 VA at 50° C. amb.

### STANDARD SECONDARY

110/120 volts

### MAXIMUM SYSTEM VOLTAGE:

7.2 kV, BIL 60kV full wave

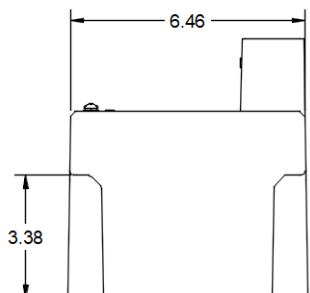
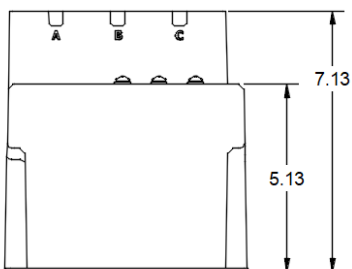
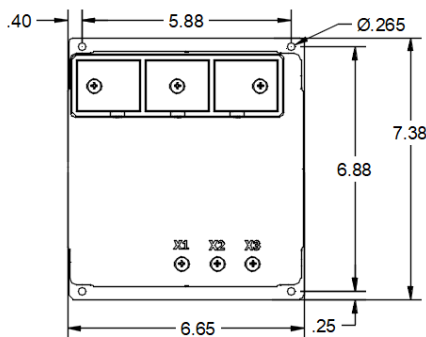
### APPROXIMATE WEIGHT:

26 lbs.

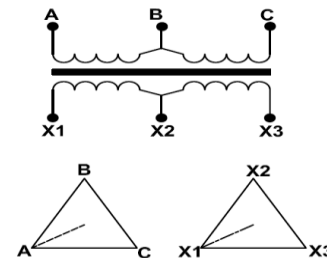
- Primary terminals are No. 10-32 brass screws with one flatwasher and lockwasher.
- The core and coil assembly is encased in a plastic enclosure and vacuum encapsulated in polyurethane resin.

- The transformers are tested for partial discharge to Canadian Standards CAN 3-C13-M83. This test can also be carried out to IEC requirements if requested.
- Recommended Spacing is for guidance only. The user needs to set appropriate values to assure performance for: high potential test; impulse test; high humidity; partial discharge; high altitude.

CATALOG NUMBER	PRIMARY VOLTAGE	RATIO	SECONDARY VOLTAGE	FREQUENCY Hz	THERMAL RATING	SUGGESTED FUSE RATING
PT3-60-841	840	7:1	120	60	0.3 kVA	1.0 E
PT3-60-242	2400	20:1	120	60	0.3 kVA	1.0 E
PT3-60-332	3300	30:1	110	50	0.3 kVA	1.0 E
PT3-60-422	4200	35:1	120	60	0.3 kVA	1.0 E
PT3-60-482	4800	40:1	120	60	0.3 kVA	1.0 E
PT3-60-555	5500	50:1	110	50	0.3 kVA	0.5 E
PT3-60-602	6000	50:1	120	60	0.3 kVA	0.5 E
PT3-60-662	6600	60:1	110	50	0.3 kVA	0.5 E
PT3-60-722	7200	60:1	120	60	0.3 kVA	0.5 E



### CONNECTION DIAGRAM



Products are manufactured in a plant whose quality management system has been certified to be in compliance with ISO 9001:2015 by NQA